

# **TRIUMPH**

# **REPLACEMENT PARTS CATALOGUE**

**FOR**

**1980**

**BONNEVILLE 750 T140D**

**BONNEVILLE 750 T140E**

**TIGER 750 TR7**

**Plus Supplements for**

- **1980 Bonneville 750 T140ES**
- **1980 Bonneville 750 T140D Euro**
- **1980 Bonneville T140E Executive**
- **Part Numbers for 1980 Colour Range**

## INTRODUCTION

### ENGINE AND FRAME NUMBERS

The engine number is located on the left side of the engine, immediately below the cylinder barrel to crankcase flange.

The frame number is located on the left side of the frame headlug, beneath the fork top lug and forward of the gasoline tank.

Both the engine and frame number should be quoted in full in any correspondence relating to the machine.

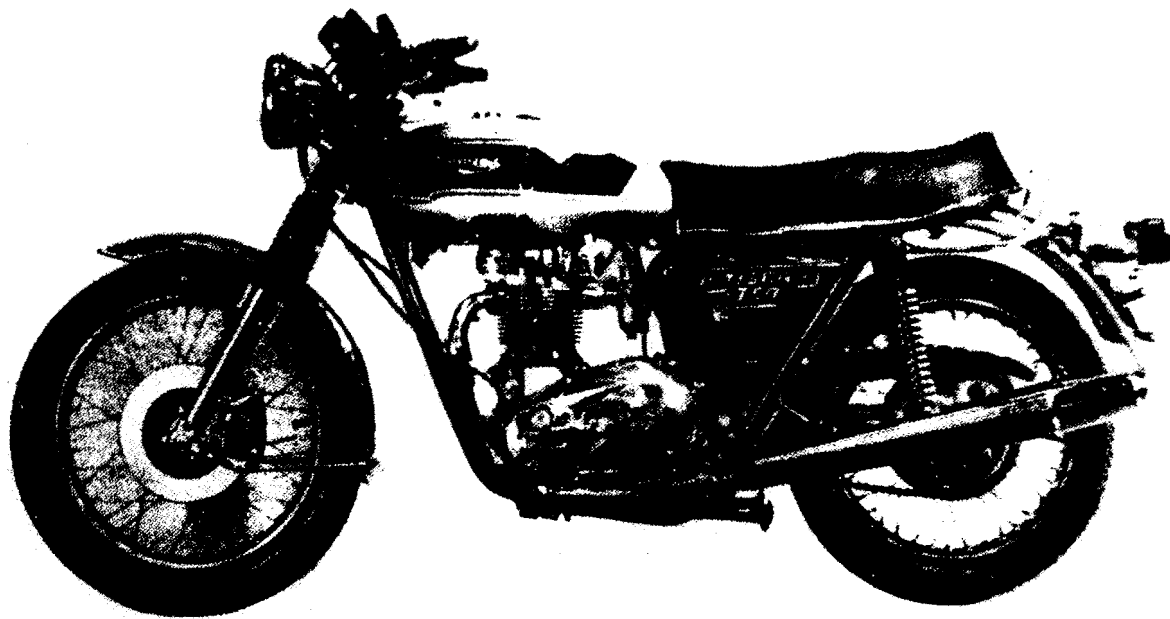
©

COPYRIGHT

All rights reserved. No part of this publication may be reproduced without permission.

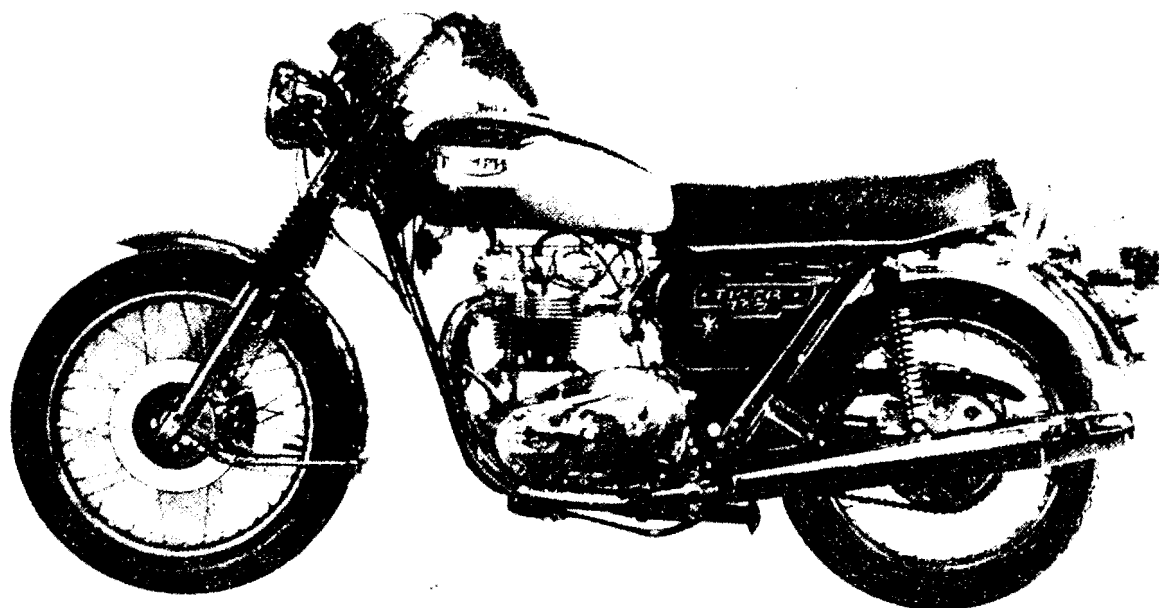
## INDEX

	Page		Page
AIR CLEANER	71	MANIFOLD	19
ALTERNATOR	13,39	MOTOR PLATES	47
		MOTOR TORQUE STAY	47
		MUFFLERS	41
BATTERY CARRIER	87	OIL PUMP	17
BRAKE SWITCH	85	OIL PIPES	49
BREATHER PIPES	49	OIL PRESSURE RELEASE VALVE	17
CAMSHAFT, INLET AND EXHAUST	13	PISTONS, OVERSIZE AND RING SETS	11
CARBURETOR	25,27	PISTONS	13
CENTRE STAND	43	PROP STAND	43
CHAINS	39	PUSH RODS	21,23,
CHAINCASE	39		
CLUTCH	37	REAR BRAKE	63,65
CLUTCH LEVER ASSEMBLY	35	REAR WHEEL	59,61
COIL	85	RECTIFIER	85
CONDENSERS	85	ROCKERS	21,23
CONNECTING RODS	13		
CONTROL CABLES	79	SIDE PANEL	71
CONTROL LEVERS	77	SPARK PLUG	85
CRANKCASE	15	SPEEDOMETER	83
CRANKSHAFT	13	SPEEDOMETER GEARBOX	59,61
CYLINDERS	21,23	SUSPENSION UNITS	45
CYLINDER HEAD	21,23	SWINGING FORK	45
EXHAUST PIPES	41	SWITCHES	77,89
		SERVICE TOOLS	10
FENDERS	73	TABLE OF STANDARD HARDWARE	
FLASHERS	37	TACHOMETER	83
FOOTRESTS	47	TACHOMETER GEARBOX	83
FRAME	43	TAIL LAMP	75
FRONT BRAKE	57	TAPPETS	19
FRONT FORKS	51,53	TIMING GEARS	13
FRONT WHEEL	55	TOOLKIT	81
		TWIN SEAT	67
GASKET SETS	11	VALVES	21,23
GAS TANK	69	VALVE GUIDES	21,23
GEARBOX	31,33,35	VALVE GUIDE SETS	11
HANDLEBAR	77	WIRING HARNESS	87
HEADLAMP	87	ZENER DIODE	85
HORN	85		
KICKSTARTER	35		



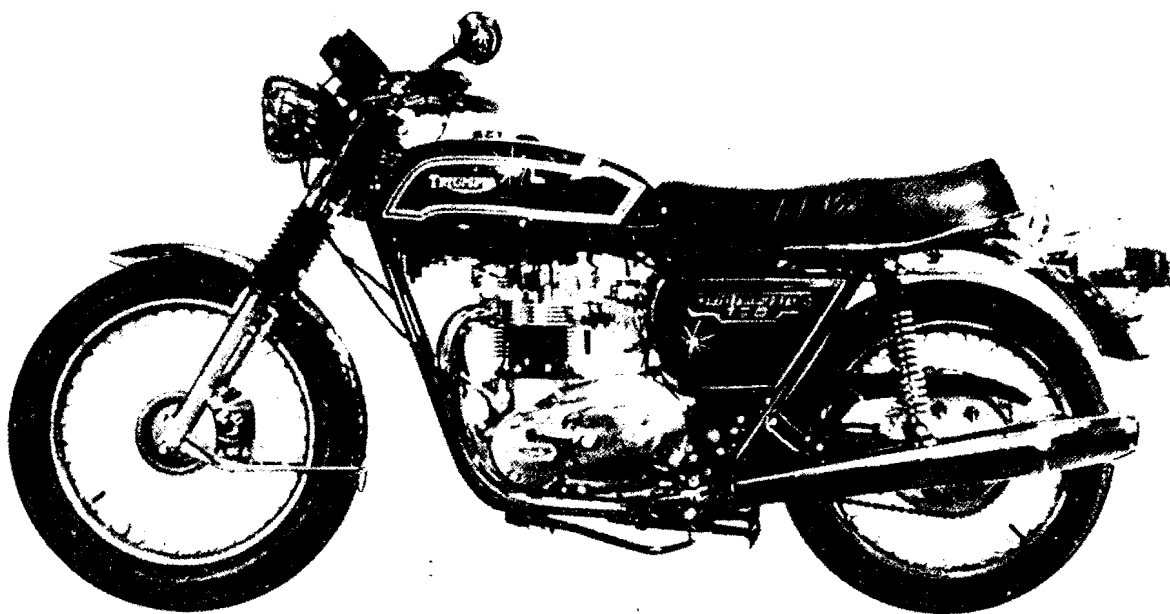
### TIGER 750 (TR7) TECHNICAL DATA

Bore & Stroke		76x82mm/2.992x3 ins.
Capacity		747 cc/ 45 cu.ins.
Compression Ratio		7.9:1
Spark Plugs		Champion N5
Carburetter		Amal Concentric
	Main Jet	270
	Needle Jet	106
	Needle	STD
	Throttle Valve	No 3
Gearbox Sprocket		20 Teeth
Chains	Front	Triplex 3/8 in. pitch x 84 links
	Rear	5/8 in. x 3/8 in. x 106 links
Capacities	Fuel Tank	4 Galls (IMP)
	Oil Tank	4 Pints
	Gearbox	7/8 Pint (500 cc)
	Front Forks	1/3 Pint (190 cc)
Tyre Size	Front	4.10 x 19
	Rear	4.10 x 18



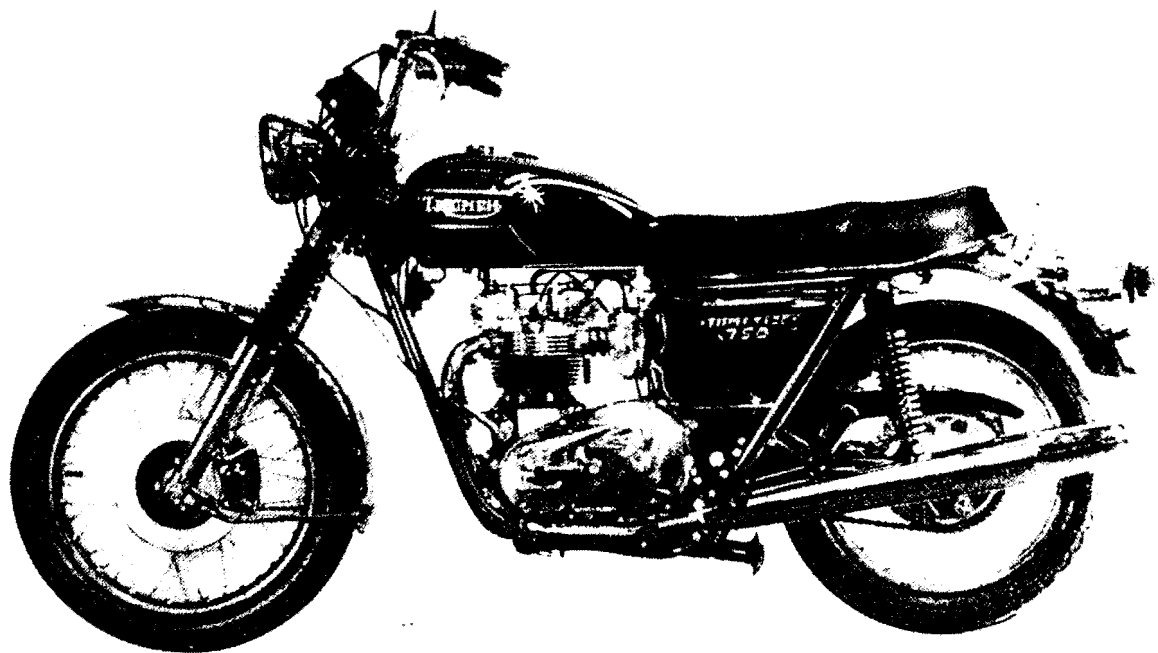
### U.S.C. TIGER 750 (TR7) TECHNICAL DATA

Bore & Stroke		76x82 mm/2.992x3.228 ins.
Capacity		747 cc/45 cu.ins.
Compression Ratio		7.9:1
Spark Plugs		Champion N5
Carburetter	Amal Concentric	
	Main Jet	270
	Needle Jet	106
	Needle	STD
	Throttle Valve	No 3
Gearbox Sproket		20 Teeth
Chains	Front	Triplex 3/8 in. pitch x 84 links
	Rear	5/8 in. x 3/8 in. x 106 links
Capacities	Fuel Tank	2.8 Galls (IMP)
	Oil Tank	4 Pints
	Gearbox	7/8 Pint (500 cc)
	Front Forks	1/3 Pint (190 cc)
Tyre Size	Front	4.10 x 19
	Rear	4.10 x 18



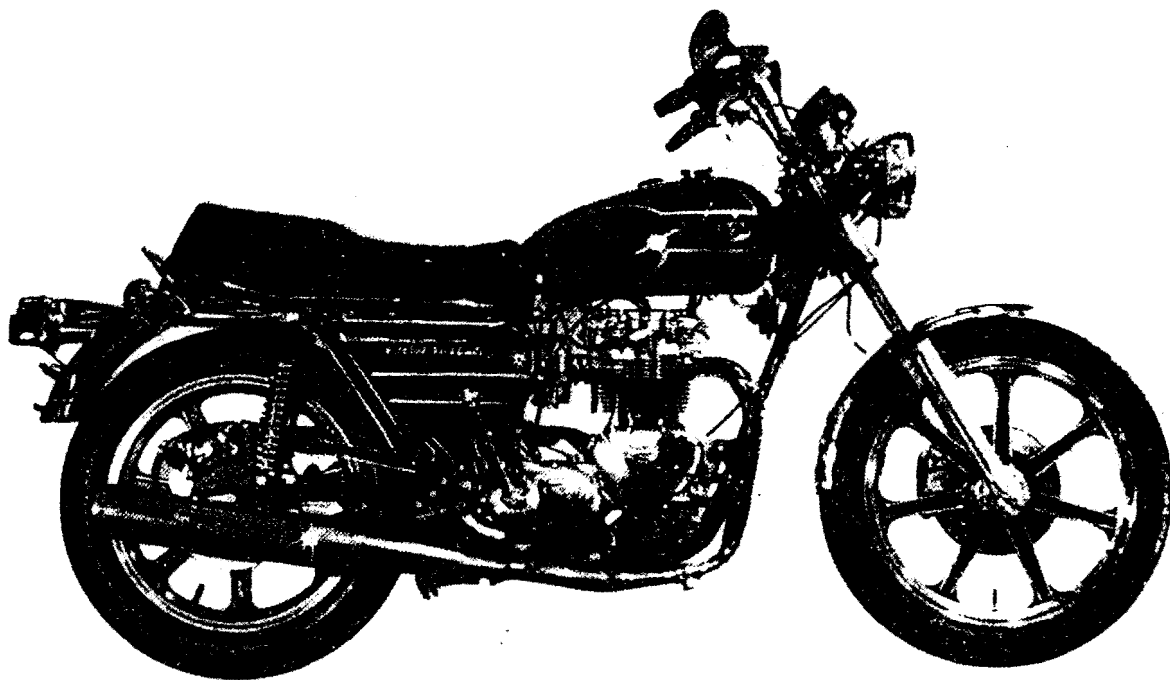
### BONNEVILLE (T140E) TECHNICAL DATA

Bore & Stroke		76x82 mm/2.992x3.228 ins.
Capacity		747 cc/45 cu.ins.
Compression Ratio		7.9:1
Spark Plugs		Champion N5
Carburetter		Amal Concentric MK II
	Main Jet	200
	Needle Jet	105
	Needle	2C3
	Throttle Valve	No. 3
Gearbox Sprocket		20 Teeth
Chains	Front	Triplex 3/8 in. pitch x 84 links
	Rear	5/8 in. x 3/8 in. x 106 links
Capacities	Fuel Tank	4 Gallons (IMP)
	Oil Tank	4 Pints
	Gearbox	7/8 Pint (500 cc)
	Front Forks	1/3 Pint (190 cc)
Tyre Size	Front	4.10 x 19
	Rear	4.10 x 18



### USA BONNEVILLE (T140E) TECHNICAL DATA

Bore & Stroke		76x82 mm/2.992x3.228 ins.
Capacity		747 cc/45 cu.ins.
Compression Ratio		7-9:1
Spark Plugs		Champion N5
Carburetter		Amal Concentric Mk II
	Main Jet	200
	Needle Jet	105
	Needle	2C3
	Throttle Valve	No. 3
Gearbox Sprocket		20 Teeth
Chains	Front	Triplex 3/8 in. pitch x 84 links
	Rear	5/8 in. x 3.8 in. x 106 links
Capacities	Fuel Tank	2.8 Galls (IMP)
	Oil Tank	4 Pints
	Gearbox	7/8 Pint (500 cc)
	Front Forks	1/3 Pint (190 cc)
Tyre Size	Front	4.10 x 19
	Rear	4.10 x 18



**USA BONNEVILLE (T140D) TECHNICAL DATA  
D MODEL**

Bore & Stroke		76x82 mm/2.992x3.228 ins.
Capacity		747 cc/45 cu.ins.
Compression Ratio		7.9:1
Spark Plugs		Champion N5
Carburetter		Amal Concentric Mk II
	Main Jet	200
	Needle Jet	105
	Needle	2C3
	Throttle Valve	No. 3
Gearbox Sprocket		20 Teeth
Chains	Front	Triplex 3/8 in. pitch x 84 links
	Rear	5/8 in. x 3/8 in. x 106 links
Capacities	Fuel Tank	2.8 Galls (IMP)
	Oil Tank	4 Pints
	Gearbox	7/8 Pint (500 cc)
	Front Forks	1/3 Pint (190 cc)
Tyre Size	Front	4.10 x 19
	Rear	4.25 x 18



## HOW TO USE THIS PARTS CATALOGUE

First Consult the index on Page 3 for the parts or group of parts which you wish to locate. When you have located the parts make sure from the end columns that the part you have located does apply to your machine.

List the quantities required as single units; do not ask for "2 pairs" or "3 dozen".

In case of painted items always state the colour required. Painted parts are available only in the colours or alternatives specified for that model of that particular year.

### PLEASE NOTE

THROUGHOUT THIS LIST, ASSEMBLIES ARE PRINTED IN CAPITALS AND THE COMPONENTS INCLUDED IN THAT ASSEMBLY ARE INDENTED IN THE DESCRIPTION COLUMN, REVERTING TO THE ORIGINAL ALIGNMENT WHEN THE ASSEMBLY IS COMPLETE. TO ORDER THE COMPLETE ASSEMBLY IT IS NECESSARY ONLY TO QUOTE THE ASSEMBLY NUMBER. ANY COMPONENT PARTS LISTED MAY ALSO BE OBTAINED SEPARATELY IF REQUIRED. WHERE COMPONENTS ARE COMMON TO ALL MODELS ONLY ONE COLUMN APPEARS UNDER QUANTITY.

### SPECIAL WORKSHOP TOOLS

A COMPLETE LIST OF WORKSHOP TOOLS CAN BE MADE AVAILABLE BY CONTACTING YOUR DEALER. IN MOST CASES THESE TOOLS ARE VERY COSTLY AS THEY ARE MADE ENTIRELY FOR WORKSHOP USE, AND THEREFORE, IT IS NOT RECOMMENDED THAT THE PRIVATE OWNER PURCHASES THE TOOLS IN ORDER TO AID SERVICING THE MACHINE ONCE OR TWICE ONLY. IN THESE CIRCUMSTANCES IT IS FAR MORE ECONOMICAL TO GET IN TOUCH WITH A RECOGNISED DEALER.

### UNIFIED THREAD FORM

NEW PARTS HAVING THREADED FIXINGS INTRODUCED IN THIS CATALOGUE HAVE THE UNIFIED FORM OF SCREW THREADS. THIS CHANGEVER WILL BE CONTINUED AS AND WHEN NEW PARTS ARE INTRODUCED. EVEN WHERE PARTS ARE SIMILAR IN APPEARANCE NEW PART NUMBERS WILL BE ALLOCATED TO IDENTIFY THE UNIFIED THREADS. ALL NUTS, BOLTS AND STUDS HAVING THIS THREAD ARE IDENTIFIED BY MARKINGS. BOLTS HAVE A CIRCULAR RECESS IN THEIR HEADS, STUDS A CIRCULAR GROOVE ON THE END, AND NUTS HAVE INTERLOCKING CIRCLES ON THE SIDE.

PARTS SPECIAL TO PARTICULAR MARKETS ARE IDENTIFIED IN 'REMARKS' COLUMN, OTHERWISE PARTS ARE COMMON TO ALL MARKETS.

WHERE MAKERS PART NUMBERS ONLY ARE SHOWN FOR REFERENCE, PARTS MUST BE OBTAINED DIRECT FROM THE MAKERS OR THEIR DISTRIBUTORS.

## ESSENTIAL SERVICE TOOLS

Part No.	Description
61-6019	Crankshaft pinion extractor
61-7013	Camshaft oil seal spreader
61-7011	Gearbox assy tool - quadrant positioner
61-6125	Gearbox sprocket nut spanner
61-6008	Tappet guide block punch
61-7014	Clutch hub - extractor tool
61-6135	Piston ring clamp
61-7017	Mainbearing extractor - LH outer race
61-3768	Clutch locking plate
61-6132	Camwheel extractor
61-7019	Rocker spindle seal compressor
61-7022	Locator tool assy - flywheel 38 - T.D.C.
61-7012	Primary chain tensioner tool
61-6063	Valve guide removal & replacement tool
61-7023	Cam extractor 6CA
61-7010	Torque tool adaptor - cylinder head sleeve nut
61-7024	Peg spanner wheel bearing retainer
61-6121	Head race drift
61-6113	Fork damper tool
61-7025	Valve seat cutter (inlet and exhaust)
61-7027	Blending cutter (inlet and exhaust)
61-7029	Arbor pilot & tommy bars - valve seat cutters
61-6117	Swinging arm bearing - removal replacement tool
61-7035	Crankshaft balance weights (689 grms.)
61-7043	Camshaft replacement tool

## CARTON PACK ASSEMBLIES

PISTONS (C/W RINGS GUDGEON PIN & CIRCLIPS)  
 71-3995 PISTON ASSY 7·9:1 + 0·010  
 71-3996 PISTON ASSY 7·9:1 + 0·020  
 71-7090 PISTON ASSY 7·4:1 + 0·010  
 71-7091 PISTON ASSY 7·4:1 + 0·020  
 PISTON RING SETS (COMPRISING 4 OFF TAPER RING, 2 OFF OIL CONTROL RING)

99-3789	RING SET	STD.	
71-3690	TAPER RING		STD.
71-3695	OIL CONTROL RING		STD.
99-3790	RING SET		+ 0·010
71-3691	TAPER RING		+ 0·010
71-3696	OIL CONTROL RING		+ 0·010
99-3791	RING SET		+ 0·020
71-3692	TAPER RING		+ 0·020
71-3697	OIL CONTROL RING		+ 0·020

VALVE GUIDE SETS (COMPRISING 2 INLET 2 EXHAUST 4 CIRCLIP)

99-7125	VALVE GUIDE SET		STD.
99-7126	VALVE GUIDE SET		+ 0·005
99-7127	VALVE GUIDE SET		+ 0·015

GASKET SET

99-7001	DECOKE SET		
99-7129	OVERHAUL SET		

VALVE SPRING SET

99-7037	4 OFF INNER		
	4 OFF OUTER		

BEARING CONROD B/E

99-7040	4 OFF		STD.
99-7041	4 OFF		- 0·010
99-7042	4 OFF		- 0·020

OWNER HANDBOOK 1980

60-7287	T140D		
60-7284	T140E		
60-7285	TR7 RV		

SIDECAR CONVERSION KIT

99-7112			T140, TR7
---------	--	--	-----------

WORKSHOP MANUAL 1979/80

99-7059	T140 TR7		
---------	----------	--	--

ELECTRONIC IGNITION KIT

99-7111			T140, TR7
---------	--	--	-----------

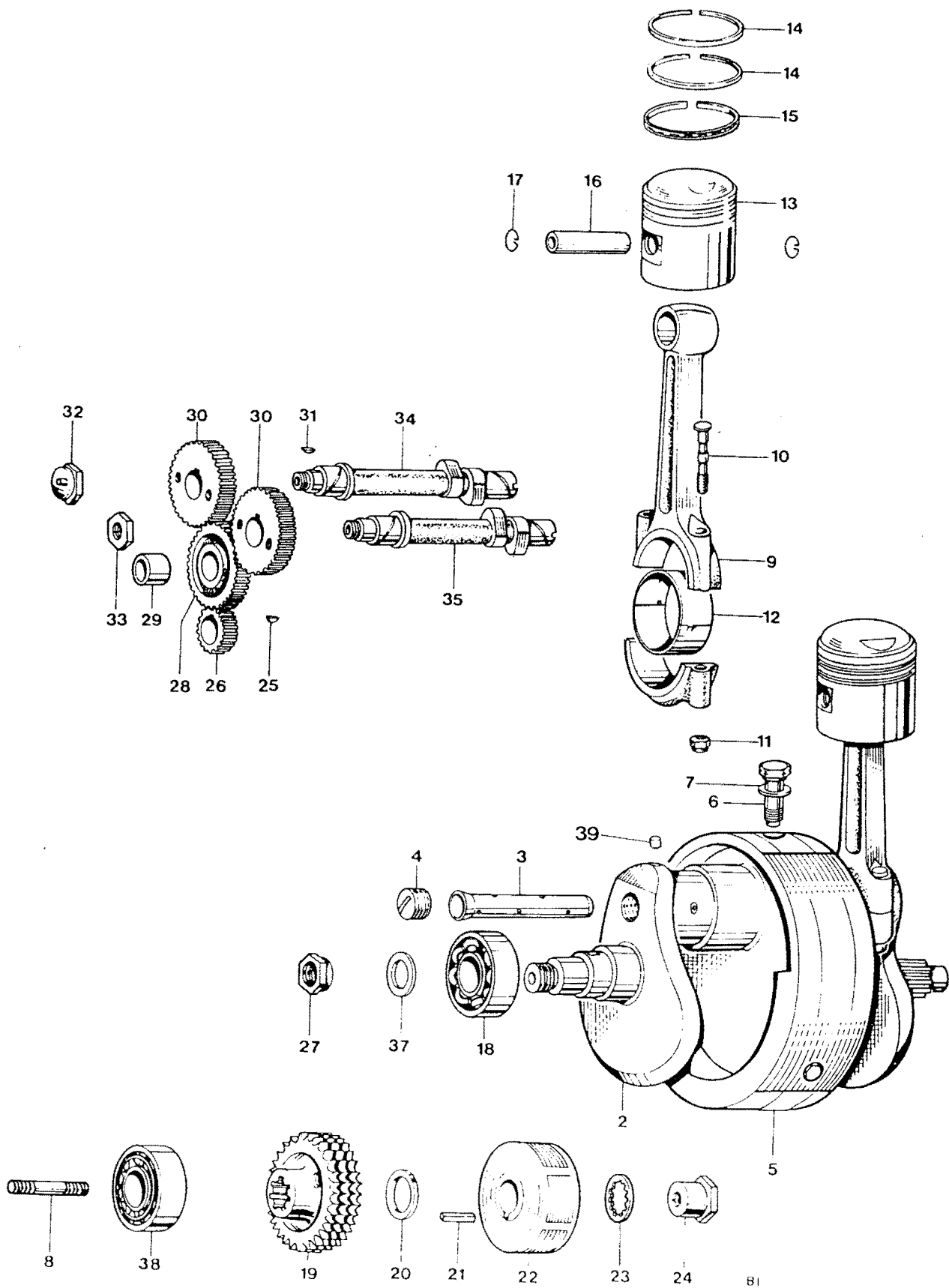


Fig. 1. CRANKSHAFT AND CONNECTING RODS

## CRANKSHAFT AND CONNECTING RODS

QUANTITY

TR7 T140 T140  
RV E D

Ref. No.	Part No.	Description	TR7 RV	T140 E	T140 D
1	71-3030	CRANKSHAFT AND FLYWHEEL ASSEMBLY	1	1	1
2	71-3298	CRANKSHAFT C/W. OIL TUBE	1	1	1
3	70-3903	Oil tube	1	1	1
4	71-2800	Screwed plug	1	1	1
5	71-2425	Flywheel	1	1	1
6	*71-3552	Flywheel bolt	3	3	3
7	71-1003	Washer	3	3	3
8	21-2183	Crankshaft stud (1 3/8 in. O.A.)	1	1	1
9	71-3006	CONNECTING ROD	2	2	2
10	70-9914	Connecting rod bolt	4	4	4
11	60-3761	Self locking nut	4	4	4
12	70-3586	Big end bearing (Available in - .010 in. and - .020 in. undersizes)	4	4	4
13	71-7085	PISTON COMPLETE (7 · 4:1)	A	A	A
13	71-3778	PISTON COMPLETE (7 · 9:1)	2	2	2
14	71-3690	Taper compression ring	4	4	4
15	71-3695	Oil control ring	2	2	2
16	71-3354	Gudgeon pin	2	2	2
17	71-3700	Circlip	4	4	4
18	60-4167	Main bearing, right (RHP5/6306)	1	1	1
19	71-3542	Motor sprocket, 29 teeth Triplex	1	1	1
20	71-3544	Distance piece	1	1	1
21	71-0082	Rotor key	1	1	1
22	99-7058	Rotor	1	1	1
23	21-7024	Fan disc lock washer	1	1	1
24	21-2182	Nut	1	1	1
25	70-1580	Key	1	1	1
26	70-4564	Timing pinion	1	1	1
27	71-2877	Nut	1	1	1
28	70-6159	INTERMEDIATE WHEEL	1	1	1
29	70-0400	Intermediate wheel bush	1	1	1
30	71-3666	Camshaft pinion	2	2	2
31	70-1558	Camshaft key	2	2	2
32	71-1007	Inlet camshaft nut	1	1	1
33	70-6523	Exhaust camshaft nut	1	1	1
34	71-7016	Inlet camshaft	1	1	1
35	71-7017	Exhaust camshaft	1	1	1
37	70-3300	Clamping washer	1	1	1
38	70-2879	Main bearing, left (RM11L)	1	1	1
39	70-3902	Plug, crankshaft oilway	1	1	1
Not illus.	71-2663	Spacer	1	1	1
Not illus.	70-8038	Shim (0 · 010 in.)	} Engine sprocket		
Not illus.	71-2660	Shim (0 · 030 in.)			

\* Use Loctite 270 Sealant

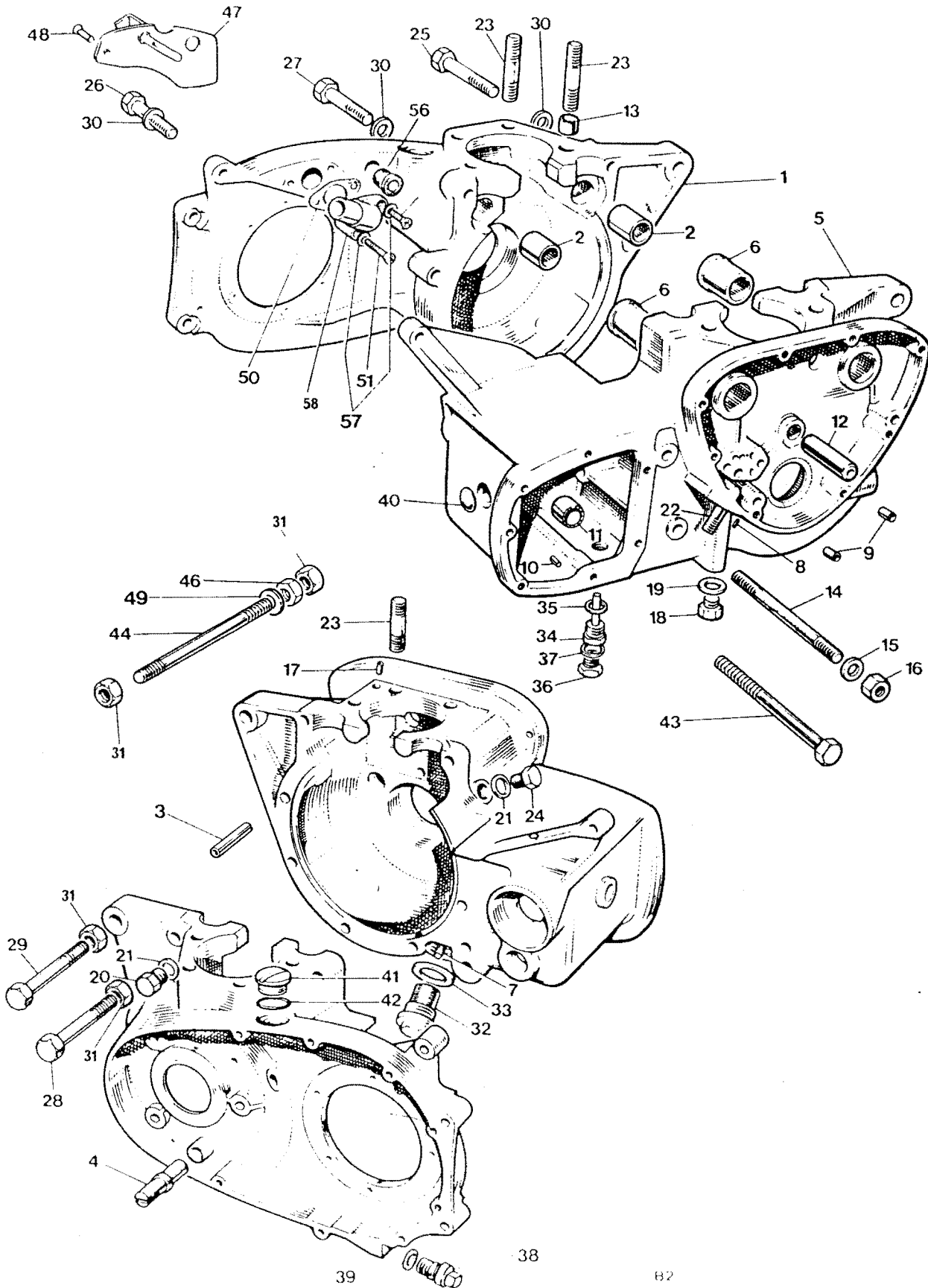


Fig. 2 CRANKCASE

## CRANKCASE

QUANTITY  
TR7 T140 T140  
RV E D

Ref. No.	Part No.	Description			
1		*CRANKCASE DRIVE SIDE	Reference Only		
2	71-0287	Camshaft bush L.H.	2	2	2
3	71-3989	Hollow dowel, crankcase joint	1	1	1
4	71-7258	Chain tensioner Pivot Pin	1	1	1
5		*CRANKCASE TIMING SIDE	Reference Only		
6	71-0286	Camshaft bush R.H.	2	2	2
7	70-4538	Scavenge pipe	1	1	1
8	70-6386	Locating peg (at oil pipes)	1	1	1
9	57-0989	Hollow dowel	1	1	1
10	57-0912	Locating peg (L/S at thrust washer)	1	1	1
11	57-1606	Needle roller bearing, layshaft	1	1	1
12	70-0375	Intermediate wheel spindle	1	1	1
13	70-8751	Hollow dowel, cylinder base	2	2	2
14	14-1445	Stud, rear	1	1	1
15	60-4246	Plain washer	2	2	2
16	14-1303	Nut	1	1	1
17	70-1532	Hollow dowel, tappet oil feed	1	1	1
18	70-9330	Oilway plug	1	1	1
19	82-1880	Copper washer	1	1	1
20	21-1871	Tachometer drive plug (L.H. thread)	1	1	1
21	37-3761	'O' ring, ignition timing hole plug	1	1	1
22	21-1863	Oil pipe stud	1	1	1
23	21-1865	Cylinder stud inner	4	4	4
23	71-3013	Cylinder stud outer	4	4	4
24	21-1872	Plug, timing hole	1	1	1
25	21-1870	Bolt, rear	1	1	1
26	14-6220	Bolt, top rear	1	1	1
27	14-6223	Bolt, top front	1	1	1
28	14-0230	Bolt, long - crankcase halves	1	1	1
29	21-1823	Bolt, short - crankcase halves	2	2	2
30	60-2330	Plain washer	10	10	10
31	14-1302	Nut	5	5	5
32	70-9336	Crankcase filter	1	1	1
33	70-8782	'O' Ring	1	1	1
34	57-2167	Drain plug (with level tube)	1	1	1
35	57-1257	Fibre washer	1	1	1
36	21-0543	Level plug	1	1	1
37	60-7132	Copper washer	1	1	1
38	71-7259	Chain adjuster plug	1	1	1
39	70-6299	Washer adjuster plug	1	1	1
40	60-7268	Blanking plug	1	1	1
41	57-2166	Plug inspection	1	1	1
42	70-8782	'O' ring	1	1	1
43	14-6242	Bolt, rear - crankcase halves	1	1	1
44	21-0669	Stud, crankcase halves	1	1	1
46	14-0402	Nut, exhaust ties	2	2	2
47	70-9334	Breather cover plate assembly	1	1	1
48	71-1077	Screw	1	1	1
49	60-2428	Spring washer	2	2	2
*	71-7401	CRANKCASE TS/DS	1	1	1
50	71-1460	Joint washer	1	1	1
51	70-7354	Screw	2	2	2
56	71-1345	Grommet, alternator leads - external	1	1	1
57	70-6559	Washer, outlet stub screw	2	2	2
58	71-4044	Outlet stub	1	1	1

\* NOTE CRANKCASES ARE SUPPLIED ONLY AS MATCHED PAIRS PART No. 71-7401

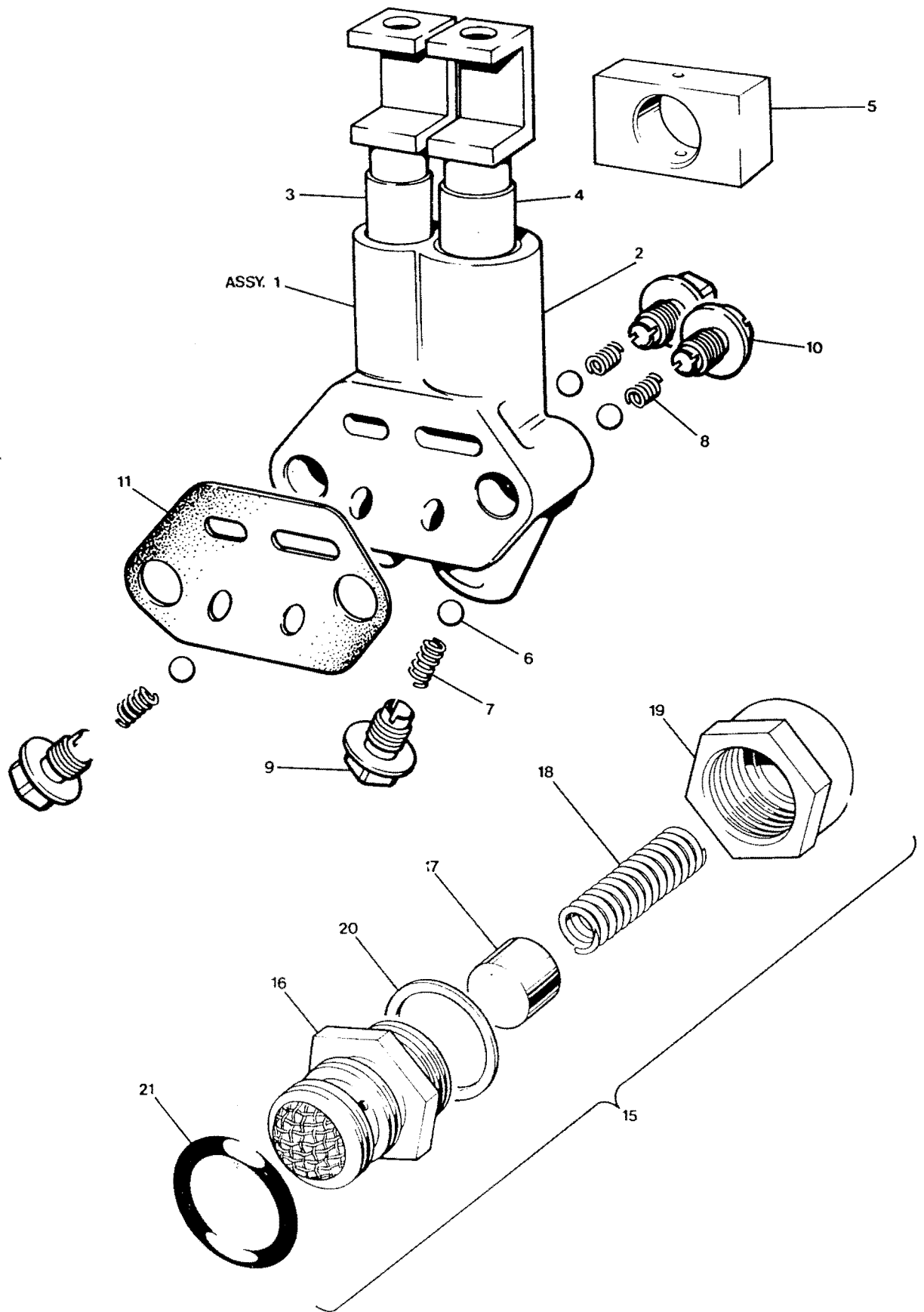


Fig 3. OIL PUMP AND RELEASE VALVE



## OIL PUMP AND RELEASE VALVE

QUANTITY  
TR7 T140 T140  
RV E D

Ref. No.	Part. No.	Description	QUANTITY		
			TR7 RV	T140 E	T140 D
1	71-7317	Oil pump complete	1	1	1
2	71-7253	Pump body	1	1	1
3	70-9269	Feed plunger	1	1	1
4	70-6681	Scavenger plunger	1	1	1
5	70-0495	Drive block	1	1	1
6	60-2363	Valve ball	4	4	4
7	70-0403	Valve spring first valve	2	2	2
8	71-7260	Valve spring second valve	2	2	2
9	71-7314	Screwed plug sq. head	3	3	3
10	71-7254	Screwed plug slotted head	1	1	1
11	71-3910	Joint washer	1	1	1
NI	14-7007	Fixing screw short 1¼" U.H.	1	1	1
NI	14-7008	Fixing screw long 1½" U.H.	1	1	1
NI	60-2417	Washer spring - Fixing screw	2	2	2
15	71-3447	Oil pressure release valve	1	1	1
16	Ref only	Body	1	1	1
17	Ref only	Piston	1	1	1
18	70-6062	Spring	1	1	1
19	Ref only	Cap	1	1	1
20	70-8754	Joint washer (cap to body)	1	1	1
21	60-3355	'O' ring, release valve	1	1	1

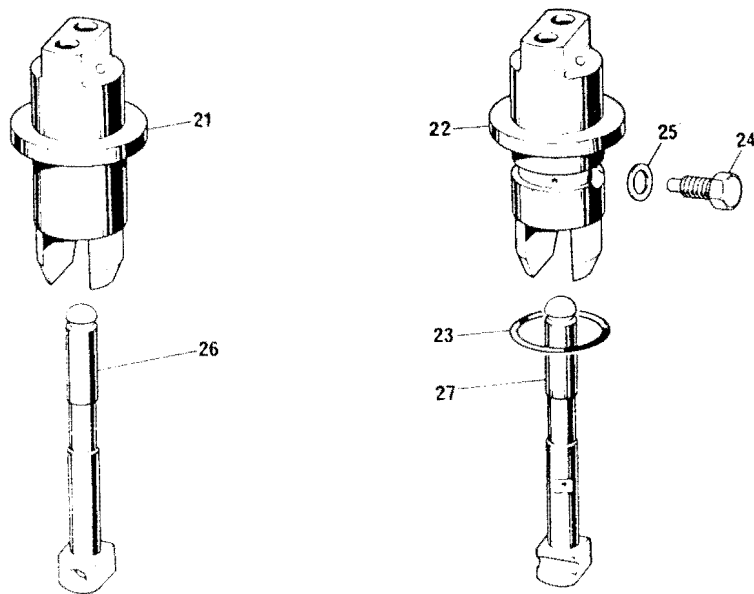
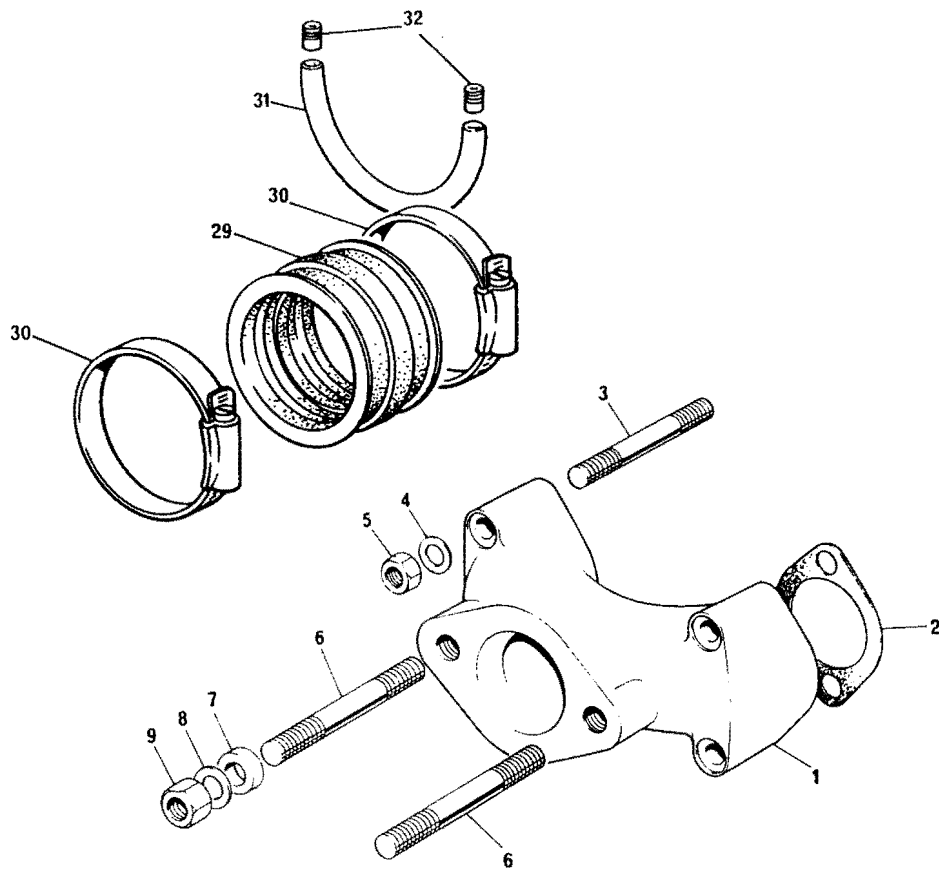


Fig. 4. MANIFOLD AND TAPPETS

## MANIFOLD AND TAPPETS

QUANTITY  
TR7 140 T140  
RV E D

Ref. No.	Part No.	Description			
1	71-3556	Inlet manifold	1	-	-
2	70-5660	Joint washer	2	-	-
3	21-1876	Stud	4	-	-
4	60-4248	Washer	4	-	-
5	21-1877	Nut	4	-	-
6	21-1996	Stud	2	-	-
7	70-9554	Insulation ring	2	-	-
8	70-9555	Cup	2	-	-
9	14-1301	Nut	2	-	-
21	71-7194	Inlet tappet guide block	1	1	1
22	71-7195	Exhaust tappet guide block	1	1	1
23	70-7563	'O' ring	1	1	1
24	97-0200	Set bolt	2	2	2
25	70-2441	Washer	2	2	2
26	71-7008	Inlet tappet	2	2	2
27	70-8801	Exhaust tappet	2	2	2
29	60-7076	Connecting rubber carb to head	-	2	2
30	60-7077	Connecting rubber clip	-	4	4
31	71-7051	Connector pipe - balance	-	1	1
32	71-7103	Connector stub	-	2	2

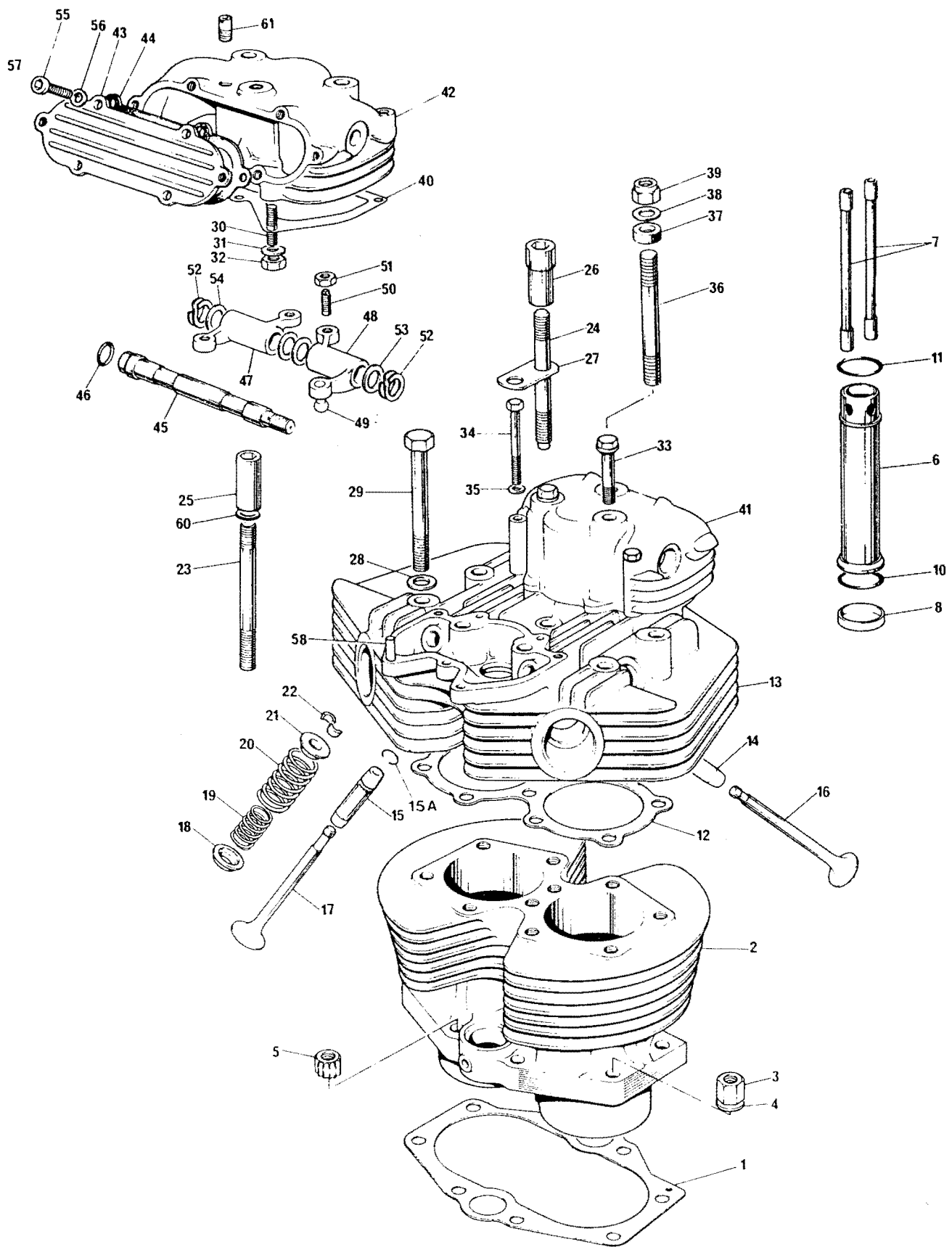


Fig. 5. CYLINDER BLOCK AND HEAD

## CYLINDER BLOCK AND HEAD

QUANTITY  
TR7 T140 T40  
RV E D

Ref. No.	Part No.	Description	QUANTITY		
			TR7 RV	T140 E	T40 D
1	70-6309	Cylinder base washer	1	1	1
2	71-4005	Cylinder block	1	1	1
3	21-2177	Cylinder base nut	4	4	4
4	70-3446	Washer	4	4	4
5	21-0692	Cylinder base nut (12 point)	4	4	4
6	71-7191	Push rod cover tube	2	2	2
7	71-3330	Push rod	4	4	4
8	71-7196	Sleeve	2	2	2
10	71-1283	'O' ring	4	4	4
12	71-4619	Cylinder head gasket	1	1	1
13	71-4029	Cylinder head assy	1	-	-
14	71-7201	Inlet valve guide	2	-	-
15	71-7202	Exhaust valve guide	2	-	-
15a	70-3209	Circlip valve guide	4	-	-
13	71-7046	Cylinder head assy c/w intakes	-	1	-
14	71-7201	Inlet valve guide	-	2	-
15	71-7202	Exhaust valve guide	-	2	-
15a	70-3209	Circlip valve guide	-	4	-
13	71-7183	Cylinder head assy c/w intakes	-	-	1
14	71-7201	Inlet valve guide	-	-	2
15	71-7202	Exhaust valve guide	-	-	2
15a	70-3209	Circlip valve guide	-	-	4
16	70-4603	Inlet valve	2	2	2
17	70-2904	Exhaust valve	2	2	2
18	71-7203	Bottom cup	4	4	4
19	70-4221	Inner valve spring	4	4	4
20	70-7400	Outer valve spring	4	4	4
21	70-1543	Top collar	4	4	4
22	71-3748	Split cotter	8	8	8
23	21-2201	Stud - cylinder head (3/8 in.)	4	4	4
24	21-2200	Stud - cylinder head (5/16 in.)	2	2	2
25	21-2204	Socket nut (3/8 in.)	4	4	4
26	21-2205	Socket nut (5/16 in.)	2	2	2
27	71-3553	Bridge plate	1	1	1
28	82-2184	Washer	4	4	4
29	14-0241	Bolt - cylinder head	4	4	4
30	14-1401	Stud - rocker box	6	6	6
31	70-3302	Washer	6	6	6
32	14-0301	Nut	6	6	6
33	21-2206	Bolt - rocker box	2	2	2
34	21-1875	Bolt - rocker box	4	4	4

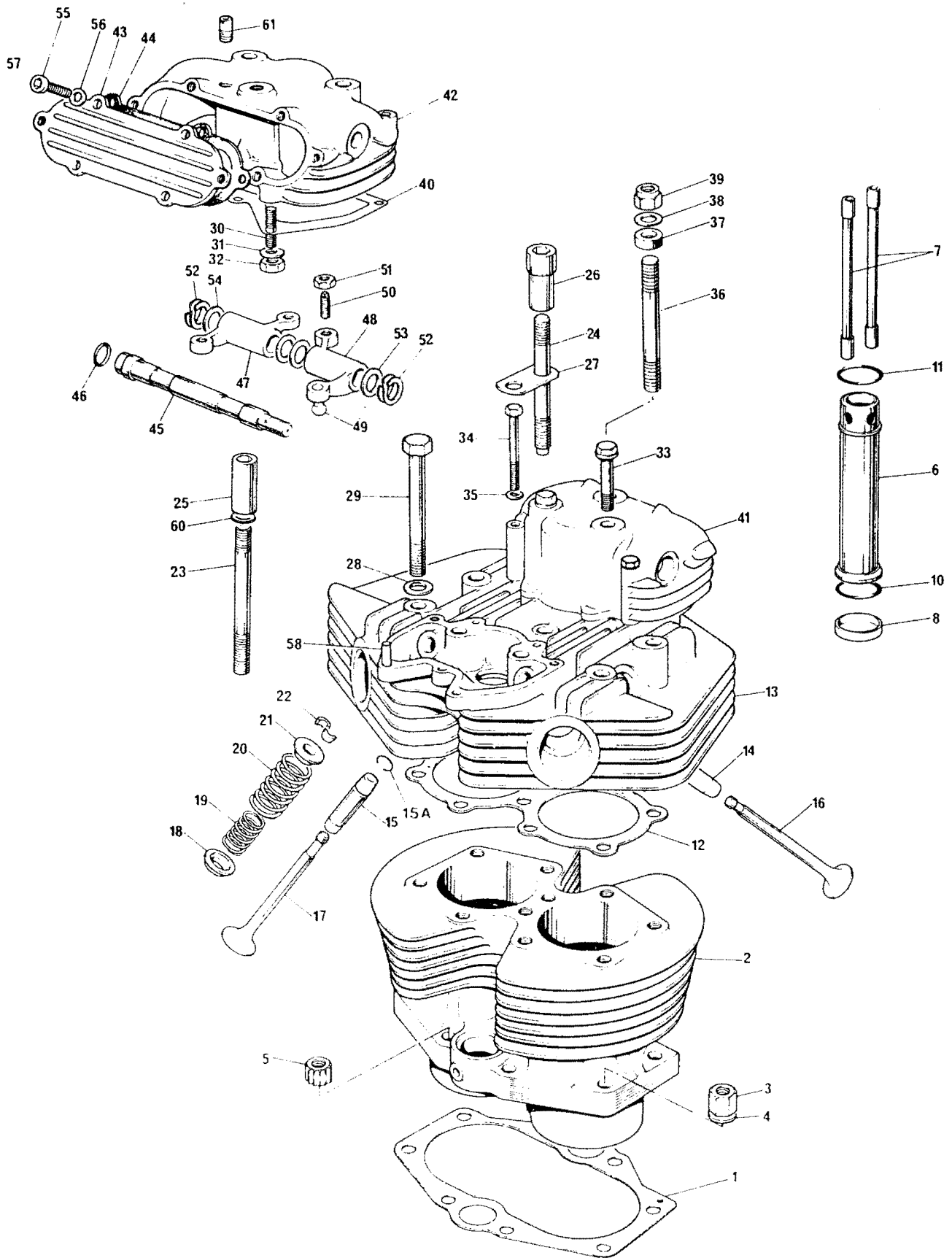
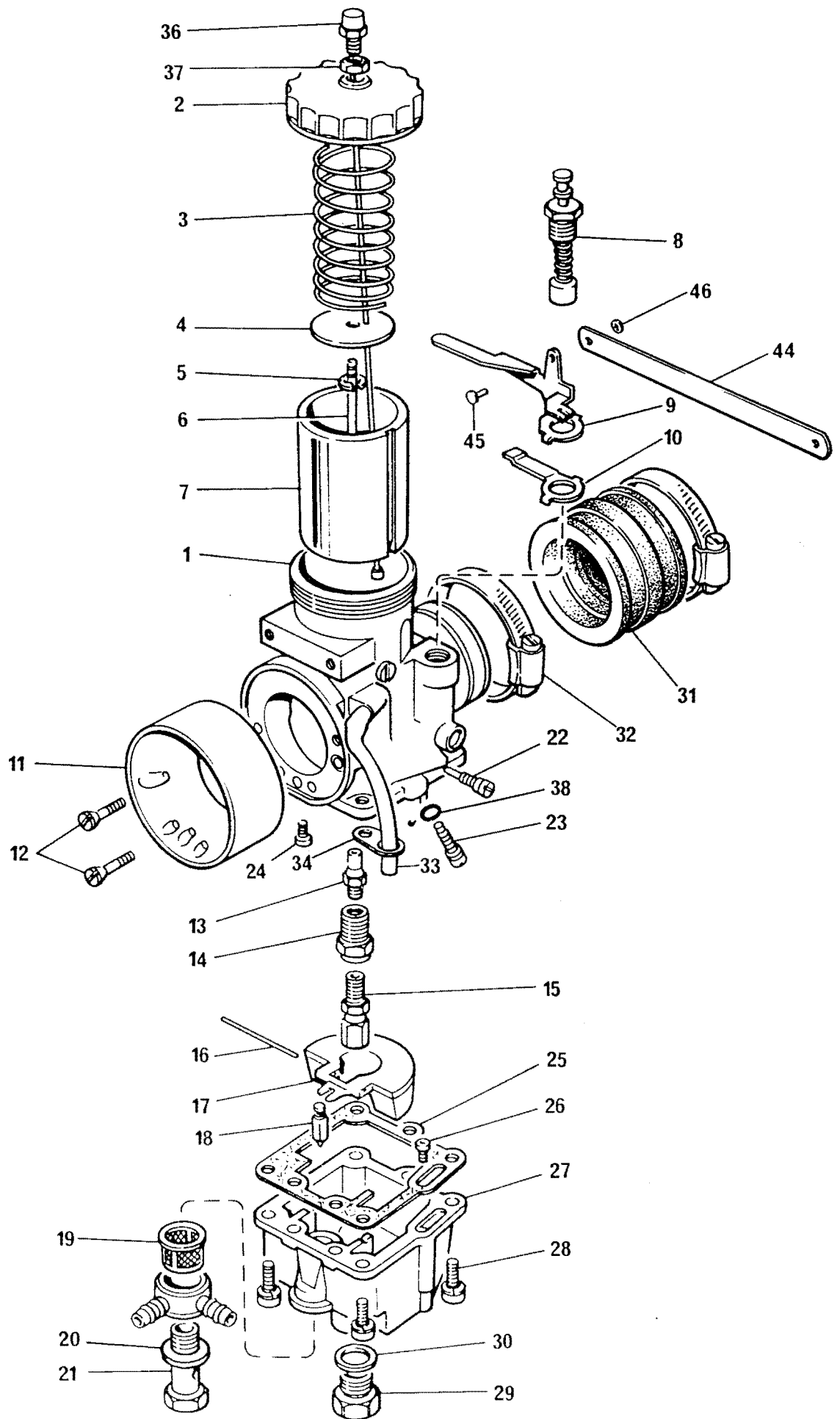


Fig. 5. CYLINDER BLOCK AND HEAD

## CYLINDER BLOCK AND HEAD

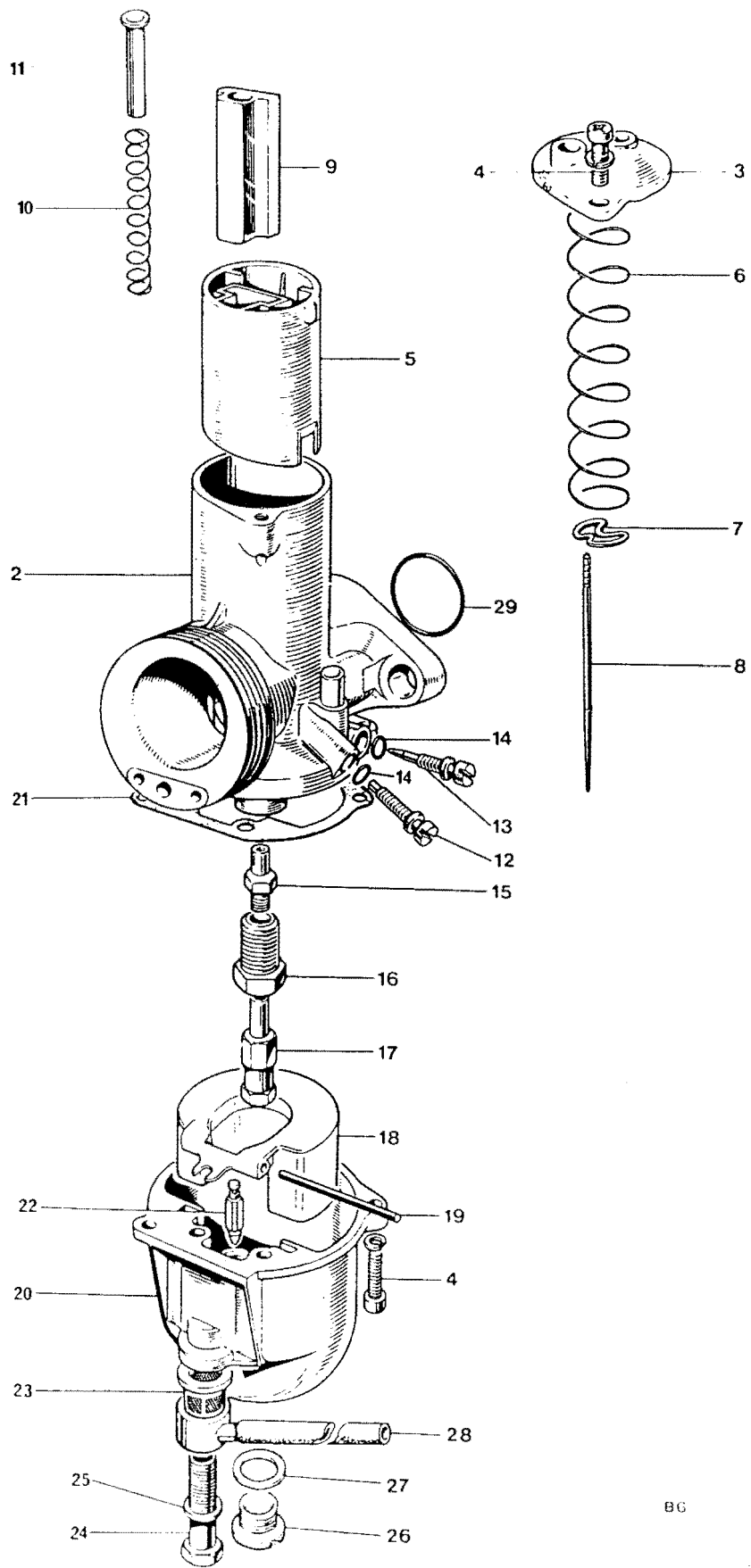
Ref. No.	Part No.	Description	QUANTITY		
			TR7 RV	T140 E	T140 D
35	60-4248	Washer	4	4	4
36	21-2197	Stud	2	2	2
37	37-2338	Distance piece	}	}	}
38	60-2331	Washer			
39	14-1303	Nut	2	2	2
40	71-2599	Rocker box gasket	2	2	2
41	71-3668	Inlet rocker box	1	1	1
42	71-7050	Exhaust rocker box	1	1	1
43	71-3671	Tappet inspection cover	2	2	2
44	71-3673	Gasket	2	2	2
45	71-3549	Rocker spindle	2	2	2
46	60-3548	Sealing ring	2	2	2
47	71-7044	Rocker (right exhaust, left inlet)	2	2	2
48	71-7043	Rocker (left exhaust, right inlet)	2	2	2
49	71-0070	Ball pin	4	4	4
50	71-7045	Adjuster pin	4	4	4
51	14-0402	Lock nut	4	4	4
52	70-1574	Spring washer	4	4	4
53	70-1575	Thrust washer (1/2 in.)	6	6	6
54	70-1330	Thrust washer (3/8 in.)	2	2	2
55	14-7004	Screw - socket head	12	12	12
56	60-3963	Washer	12	12	12
58	71-2361	Dowel, rocker box to head	4	4	4
60	71-2598	Plain washer	4	4	4
61	71-3313	Connector - Breather	1	1	1





**CARBURETOR T140E - T140D AMAL MK II CONCENTRIC**

Ref. No.	Part No.	Makers Part No.	Description	Quantity	Remarks
NI	99-7016	L2930/E2	CARBURETTOR, LEFT	1	less mounting rubber & choke linkage
NI	99-7017	R2930/E1	CARBURETTOR, RIGHT	1	
1	99-7068	L2930/002	CARBURETTOR BODY LEFT	1	
1	99-7069	R2930/002	CARBURETTOR BODY RIGHT	1	
2	99-7070	2928/064	Mixing chamber top	1	
3	99-7071	2928/061	Throttle spring	1	
4	99-7072	2928/071	Needle retaining disc	1	
5	99-7073	2622/067	Needle clip	1	
6	99-7074	2928/030	Throttle needle 2C3	1	
7	99-7075	2928/060	Throttle slide No. 3	1	
8	99-7076	2622/079	Cold start plunger assy	1	
9	99-7077	2622/075	Cold start lever & bracket assy	1	LH Carb
10	99-7078	2622/087	Cold start click spring	1	
11	99-7079	2928/062	Air intake adaptor	1	
12	99-7080	2622/073	Air intake adaptor screws	2	
13	99-7081	2928/031	Needle jet 105	1	
14	99-7082	622/128	Jet holder	1	
15	99-7083	376/100	Mainjet 200	1	
16	99-7084	2622/069	Float spindle	1	
17	99-0512	622/069	Float	1	
18	99-7086	622/149	Float needle	1	
19	99-0438	376/093	Filter	1	
20	99-1124	13/163	Banjo bolt washer	1	
21	99-0517	622/078	Banjo bolt	1	
22	99-0515	622/076	Pilot air screw	1	
23	99-0516	622/077	Throttle stop screw	1	
24	99-7085	124/026	Pilot jet 25	1	
25	99-7087	2622/070	Washer - float bowl	1	
26	99-7117	124/026	Jet - cold start 35	1	
27	99-7089	2622/139	Float bowl assy	1	
28	99-0521	2622/086	Float bowl screws	4	
29	99-7090	2622/065	Float bowl drain plug	1	
30	99-7091	2622/066	Float bowl drain plug washer	1	
31	60-7076	2928/123	Rubber connector	1	
32	60-7077	2928/146	Rubber connector clip	2	
33	99-7092	2622/145	Air vent pipe	2	
34	99-7093	2622/134	Clip vent pipe	2	
NI	99-7095	2622/169	Cold start lever & bracket assy	1	RH Carb
36	99-7096	4/035	Throttle cable adjuster	1	
37	99-7097	5/077	Throttle cable adjuster locknut	1	
38	99-0520	622/082	'O' ring for air & throttle screw	2	
NI	71-7052		Connector bracket	1	
NI	23-1031		Screw bracket to carb	3	
NI	60-2427		Washer	2	
NI	21-7028		Grub screw bracket to carb	1	
NI	21-7030		Plain washer	1	
44	71-7053		Link - cold start	1	
45	71-7054		Pivot pin	2	
46	60-7078		Fastener for pin	2	
NI	83-7545		Petrol Pipe - Use with 4 - 0 Gall tank	1	
NI	83-7550		Petrol Pipe	1	



BC

Fig. 8. AMAL CARBURETOR, TR7RV

## CARBURETOR TR7RV AMAL MK I CONCENTRIC

Ref. No.	Part No.	Makers Part No.	Description	Quantity	Remarks
1	19-2454	R930/94	CARBURETOR	1	
2	Amal.	930/005	Carburettor body	1	
3	Amal.	928/098	Mixing chamber top	1	
4	99-0521	622/086	Screw, float and mixing chamber tops	4	
5	99-0527	928/060	Throttle valve (No. 3 cutaway)	1	
6	99-1033	622/131	Throttle return spring	1	
7	99-0510	622/067	Needle clip	1	
8	99-1036	622/124	Needle	1	
9	99-0528	928/062	Air valve	1	
10	99-1038	622/129	Air valve spring	1	
11	99-1037	928/103	Air valve guide	1	
12	99-0516	622/077	Throttle stop screw	1	
13	99-0515	622/076	Pilot air screw	1	
14	99-0520	622/082	'O' ring for air and throttle screws	2	
15	99-1035	622/122	Needle jet (· 106)	1	
16	99-1034	622/128	Jet holder	1	
17	99-0454	376/100	Main jet (270)	1	
18	99-0512	622/069	Float	1	
19	99-0513	622/071	Float spindle	1	
20	99-0506	622/055	Float chamber	1	
21	99-0514	622/073	Float chamber washer	1	
22	99-0511	622/068	Float needle	1	
23	99-0438	376/093	Filter	1	
24	99-0517	622/078	Banjo bolt	1	
25	99-1124	13/163	Banjo washer	1	
26	99-1152	622/147	Drain plug	1	
27	99-1153	622/151	Drain plug washer	1	
28	83-7546		Petrol Pipe assembly	1	
29	70-9711	622/101	'O' ring for flange	1	
	Amal.	622/172	Tickler complete	1	Not illustrated

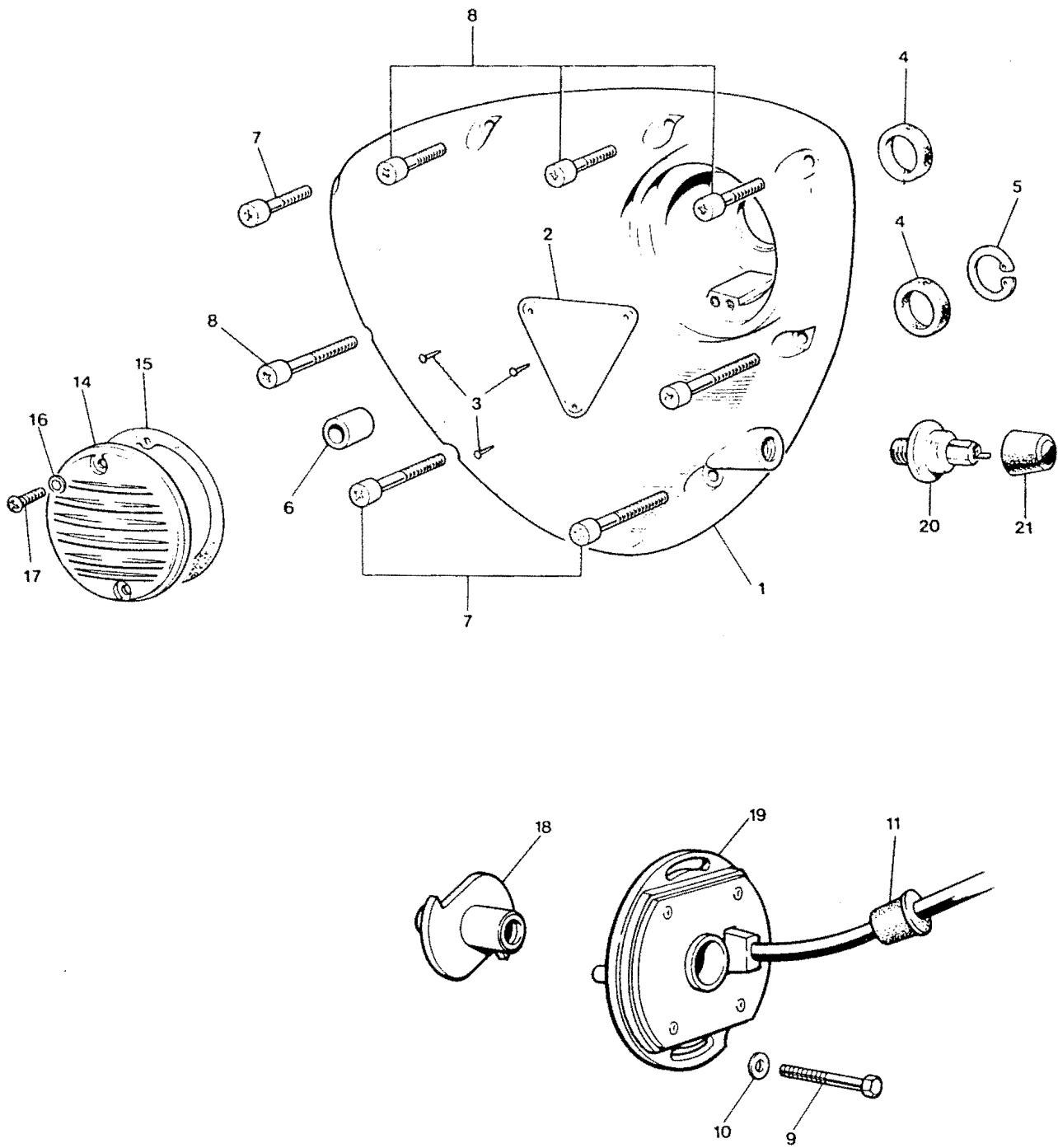


Fig. 10. TIMING COVER AND CONTACT BREAKER

## TIMING COVER AND PULSE SENSOR

Ref. No.	Part No.	Description	QUANTITY		
			TR7	T140	T140
			RV	E	D
1	71-7318	Timing cover c/w Patent plate	1	1	1
2	70-4016	Patent plate	1	1	1
3	60-4255	Hammer - drive screw	3	3	3
4	70-4568	Oil seal	1	1	1
4	70-6387	Oil seal (0.020 in. undersize)	A	A	A
N1	71-7263	Joint Washer - Timing Cover	1	1	1
5	70-4569	Circlip	1	1	1
6	57-0989	Hollow dowel	2	2	2
7	14-7007	Screw, long	2	2	2
8	14-7006	Screw, short	6	6	6
9	14-0207	Bolt	1	1	1
10	70-8163	Plain washer	1	1	1
11	70-4707	Rubber grommet	1	1	1
12	70-7680	Pillar bolt	2	2	2
13	70-6559	Plain washer	2	2	2
14	71-7238	Cover	-	-	1
14	71-7159	Cover	1	1	-
15	71-1462	Joint washer	1	1	1
16	97-0430	Fibre washer	2	2	2
17	70-7354	Screw (1/2 in. U.H.)	2	2	2
18	99-7043	Reluctor Lucas 54400905	1	1	1
19	99-7044	Pulse sensor c/w lead Lucas 54400766	1	1	1
20	60-3719	Oil pressure switch	1	1	1
21	71-2930	Cover pressure switch	1	1	1

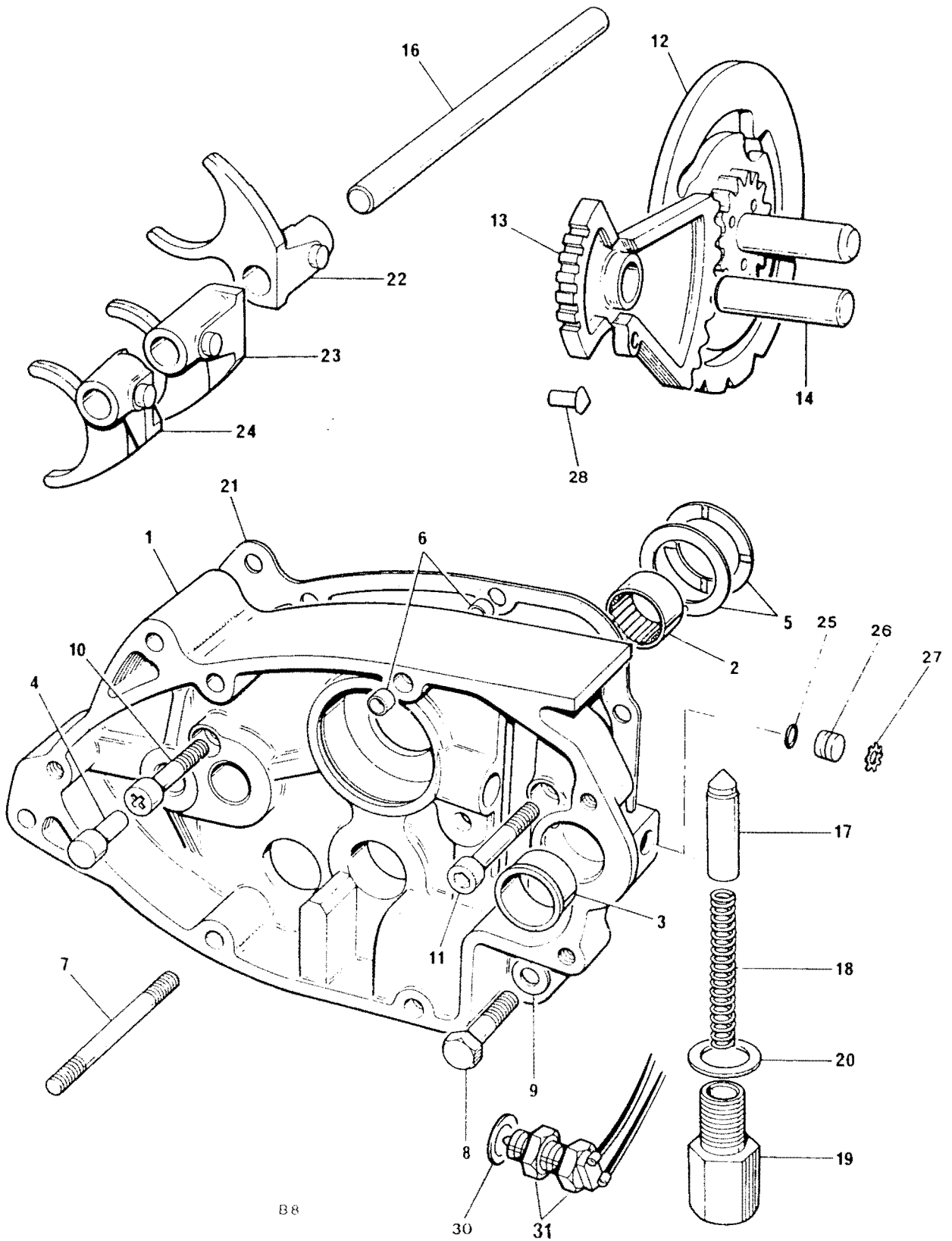


Fig. 11 GEARBOX INNER COVER AND SELECTORS

## GEARBOX INNER COVER AND SELECTORS

Ref. No.	Part No.	Description	Quantity	Remarks
1	57-7049	GEARBOX INNER COVER	1	
2	57-1614	Layshaft bearing	1	
3	57-7009	Gearchange spindle bush	1	
4	57-0045	Kickstart stop	1	
5	57-1607	Thrust washer	2	
6	57-0989	Hollow dowel	4	
7	21-2149	Stud	2	
8	21-1907	Bolt	1	
9	70-3446	Washer	1	
10	14-6608	Screw	1	
11	14-7023	Screw	1	
12	57-4889	Camplate	1	
13	57-7052	Operating quadrant c/w pin	1	
14	57-7011	Quadrant spindle	1	
16	57-3989	Selector fork rod	1	
17	57-7020	Index plunger	1	
18	57-4459	Plunger spring	1	
19	57-4400	Housing, index plunger	1	
20	57-3978	Washer	1	
21	57-7012	Joint washer, inner cover to crankcase	1	
22	57-4364	Selector fork - mainshaft 4th gear	1	
23	57-4366	Selector fork - layshaft 3rd gear	1	
24	57-4660	Selector fork - layshaft 1st gear	1	
25	37-3761	'O' ring	1	
26	57-7015	Plug	1	
27	57-7016	Retainer	1	
28	57-7041	Operating pin	1	
29	60-7240	Switch neutral C/W lock nut	1	
30	70-1335	Washer - For Switch	1	

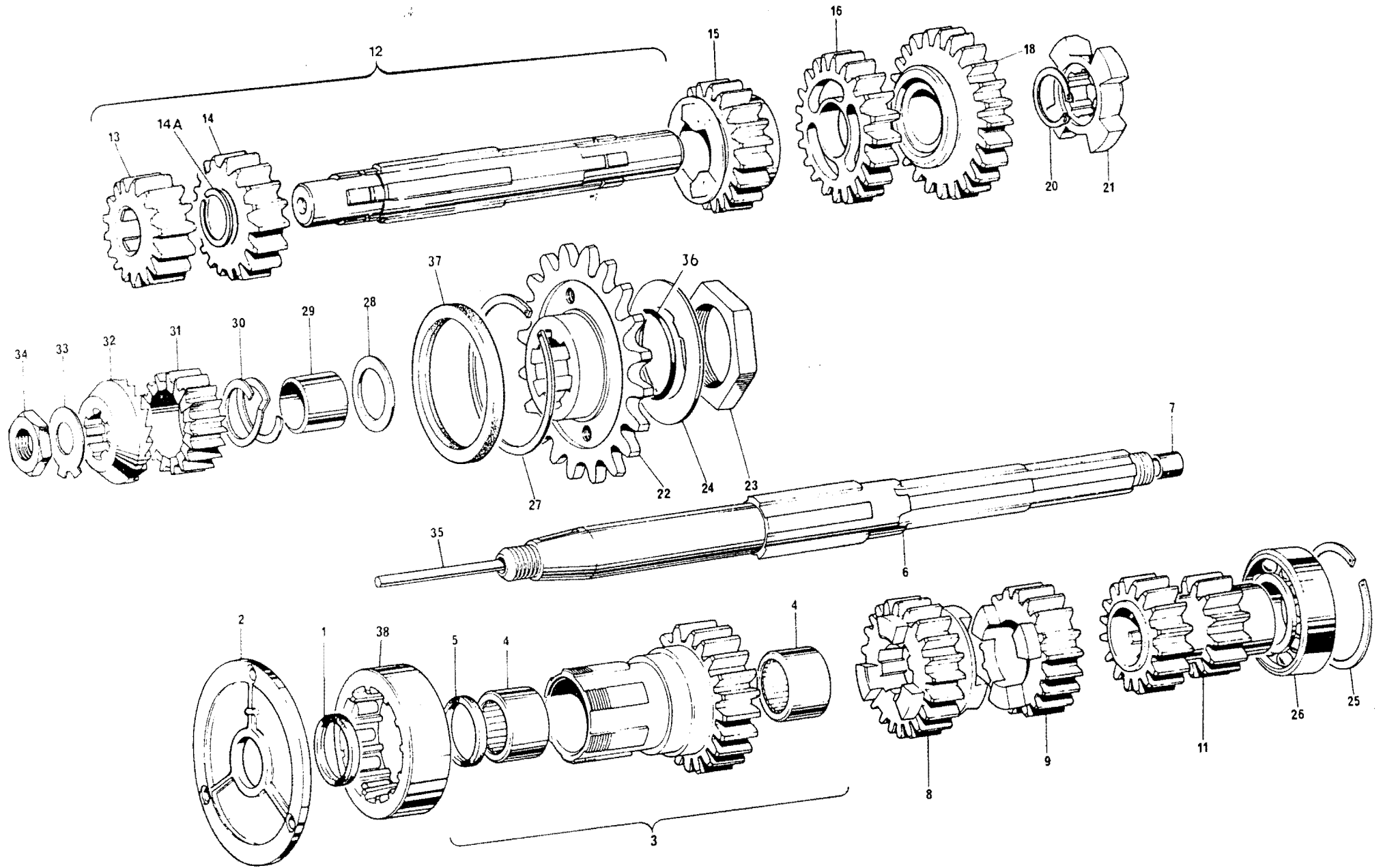


Fig. 12 GEARBOX SHAFTS AND GEARS (5 SPEED)



## GEARBOX SHAFTS AND GEARS

Ref. No.	Part No.	Description	Quantity	Remarks
1	60-3500	Oil seal, cover plate	1	
2	70-3789	Cover plate	1	
3	57-4779	MAINSHAFT HIGH GEAR ASSEMBLY	1	
4	60-3511	Needle roller bearing	2	
5	60-3500	Oil seal, high gear	1	
6	57-4432	MAINSHAFT	1	
7	57-3988	Bush	1	
8	57-4376	Mainshaft 4th gear	1	
9	57-4377	MAINSHAFT 3rd GEAR c/w bush	1	
11	57-4653	Mainshaft 1st and 2nd gear	1	
12	57-4900	LAYSHAFT ASSY	1	
13	57-4791	Layshaft high gear	1	
14	57-4787	Layshaft 4th gear c/w bush	1	
14A	57-4790	Circlip for layshaft high gear	1	
15	57-4647	Layshaft 3rd gear	1	
16	57-4657	LAYSHAFT 2nd GEAR c/w bush	1	
18	57-4654	LAYSHAFT 1st GEAR c/w bush	1	
20	60-3494	Circlip	1	
21	57-4661	Driving dog	1	
22	57-4782	Gearbox sprocket - 20T	1	
23	57-4396	Locknut	1	
24	57-4909	Lock washer	1	
25	70-0489	Circlip	1	
26	60-3552	Mainshaft bearing	1	Hoffman LS8
27	57-4113	Circlip	1	
28	57-1962	Washer	1	
29	57-1963	Pinion sleeve	1	
30	57-1250	Pinion spring	1	
31	57-0730	Kickstart pinion	1	
32	57-0731	Kickstart ratchet	1	
33	57-2240	Tab washer	1	
34	21-0594	Nut	1	
35	57-1736	Clutch operating rod	1	
36	71-1070	'O' ring, gearbox sprocket	1	
37	60-3512	Oil seal, gearbox sprocket	1	
38	60-4100	High gear bearing	1	

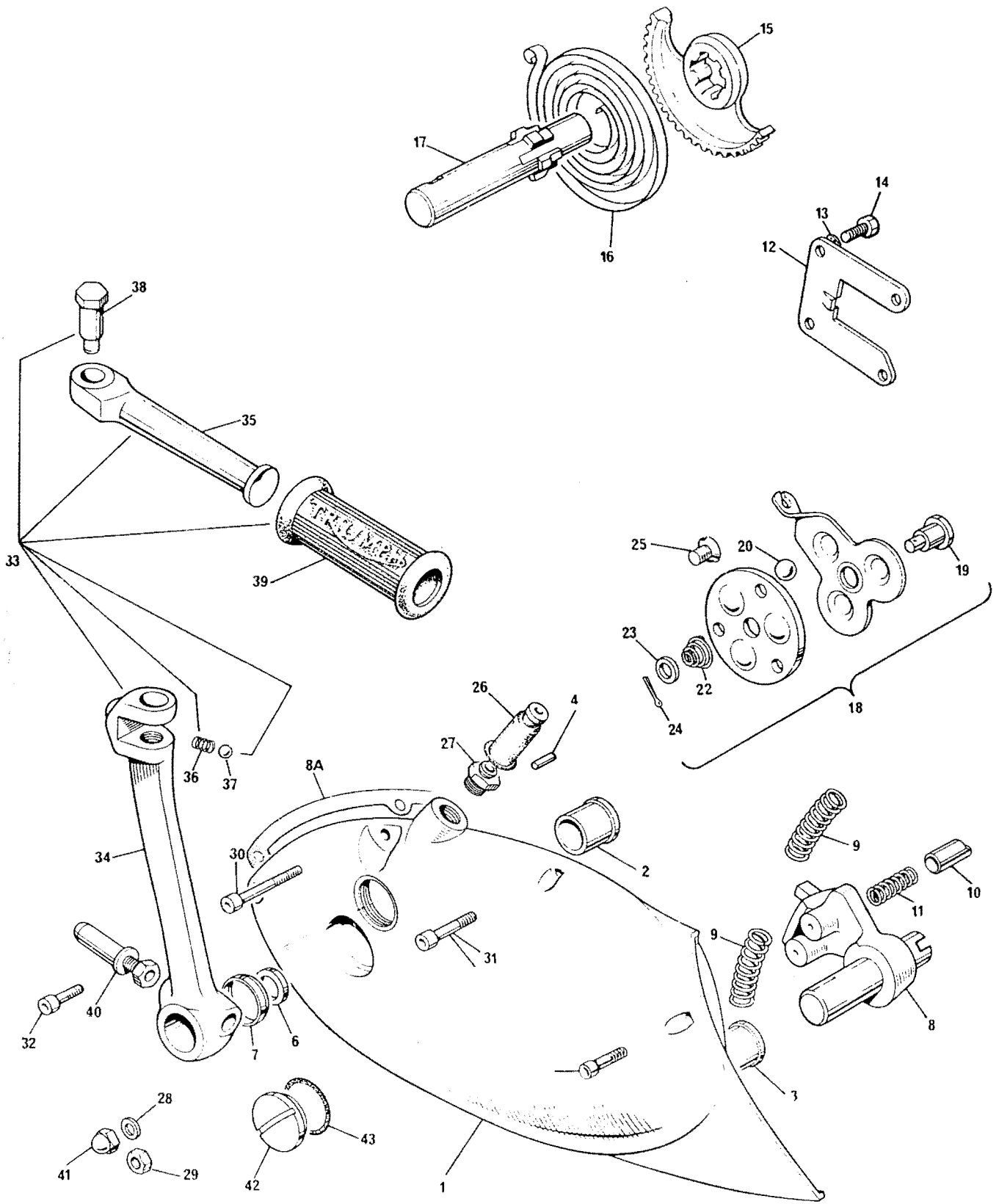


Fig. 13. GEARBOX OUTER COVER

## GEARBOX OUTER COVER

Ref. No.	Part No.	Description	Quantity	Remarks
1	57-7050	GEARBOX OUTER COVER	1	
2	57-0023	Kickstarter spindle bush	1	
3	57-7008	Gearchange spindle bush	1	
4	57-0047	Kickstarter spring anchor pin	1	
6	57-1956	Oil seal	1	
7	57-1955	Oil seal housing	1	
8	57-7021	Gearchange quadrant assembly	1	
8A	71-1448	Gasket outer cover	1	
9	57-7051	Quadrant return springs	2	
10	57-4403	Gearchange quadrant plunger	2	
11	57-0405	Plunger spring	2	
12	57-0407	Guide plate	1	
13	70-1612	Serrated washer	4	
14	14-6103	Bolt - guide plate	4	
15	57-4117	Kickstarter quadrant	1	
16	57-0031	Kickstarter return spring	1	
17	57-4756	Kickstarter axle	1	
18	57-7033X	Clutch lever assembly	1	
19	57-1710	Lever shaft	1	
20	60-2368	Ball 3/8 in. diam.	3	
22	57-1712	Return spring	1	
23	57-3673	Plain washer	1	
24	60-2701	Split pin (5/64 in. x 1/2 in.)	1	
25	21-1879	Countersunk screw	2	
26	57-1646	Rubber cover	1	
27	57-3762	Abutment for clutch cable	1	
28	60-4247	Plain washer	2	
29	14-1302	Nut	1	
30	14-7013	Screw cover to crankcase	2	
31	14-7007	Screw outer cover to inner	2	
32	14-7006	Screw outer cover to inner	1	
33	57-7018	FOLDING KICKSTARTER ASSEMBLY	1	
34	57-2173	Kickstarter crank	1	
35	57-7017	Kickstarter pedal	1	
36	57-1167	Pedal locating spring	1	
37	60-2324	Steel ball, 1/4 in. diam.	1	
38	21-0541	Pedal bolt	1	
39	57-2330	Pedal rubber	1	
40	57-4356	Cotter pin c/w nut and washer	1	
41	21-0544	Domed nut	1	
42	57-2166	Filler plug	1	
43	70-8782	'O' ring	1	

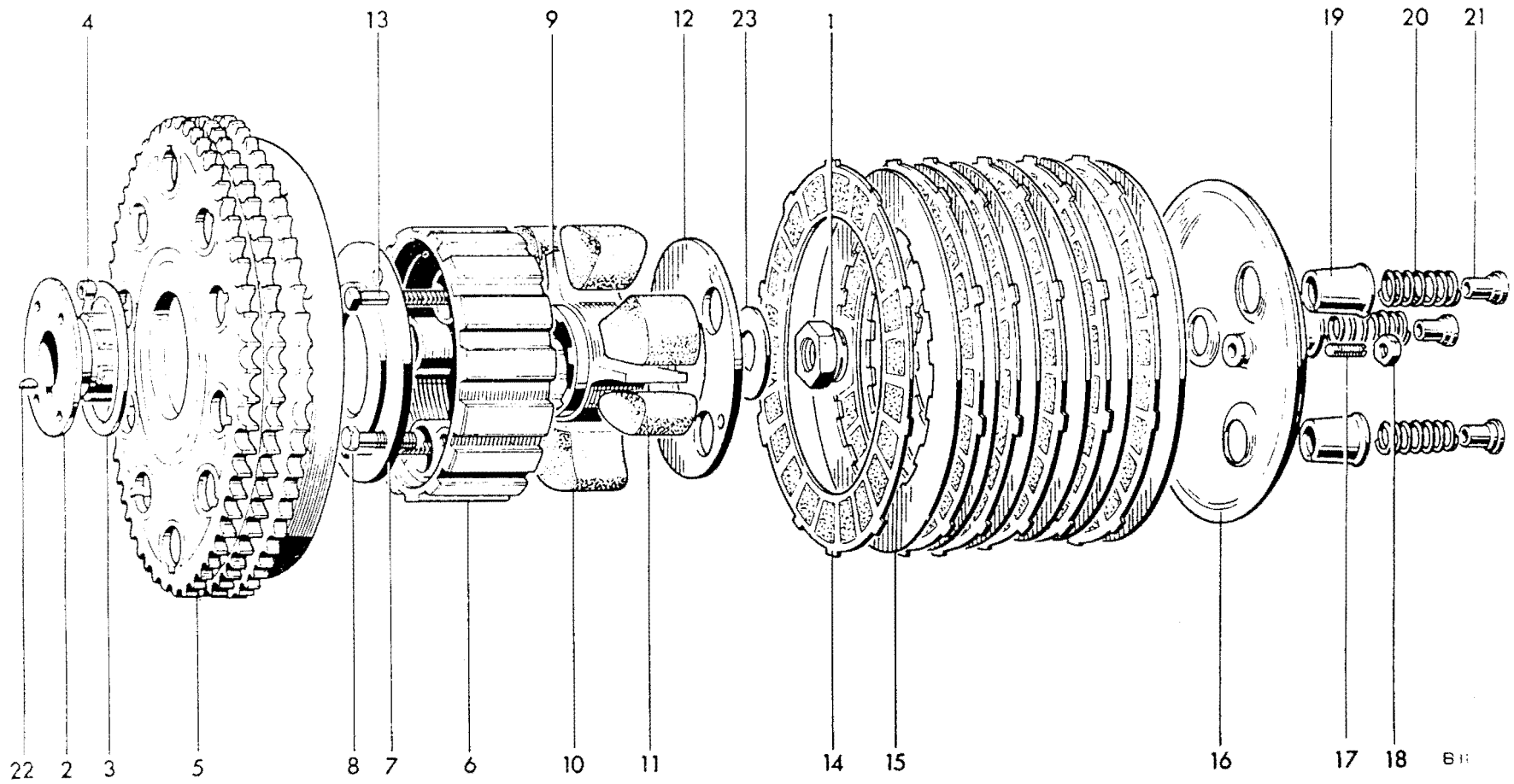


Fig. 14. CLUTCH

## CLUTCH

Ref. No.	Part No.	Description	Quantity	Remarks
1	21-0586	Clutch securing nut	1	
2	57-3929	Hub	1	
3	57-3931	Thrust washer	1	
4	57-0394	Roller	20	
5	57-4640	Sprocket and housing	1	
6	57-4438	Centre	1	
7	57-4436	Inner plate	1	
8	21-2157	Bolt	3	
9	57-4636	Shock absorber spider	1	
10	57-1722	Drive rubber (large)	3	
11	57-1723	Rebound rubber (small)	3	
12	57-4437	Outer plate	1	
13	57-4754	Screwed pin	3	
14	57-4763	Driving plate (bonded)	6	
15	57-1363	Driven plate	6	
16	57-4590	Pressure plate	1	
17	57-2159	Adjuster pin	1	
18	14-0403	Nut	1	
19	57-1931	Spring cup	3	
20	57-4644	Spring	3	
21	57-2526	Pressure nut	3	
22	60-4253	Key	1	
23	57-4794	Washer	1	
NI	57-4903	Clutch assembly complete	1	
NI	57-4435	Clutch shock absorber assembly complete	1	

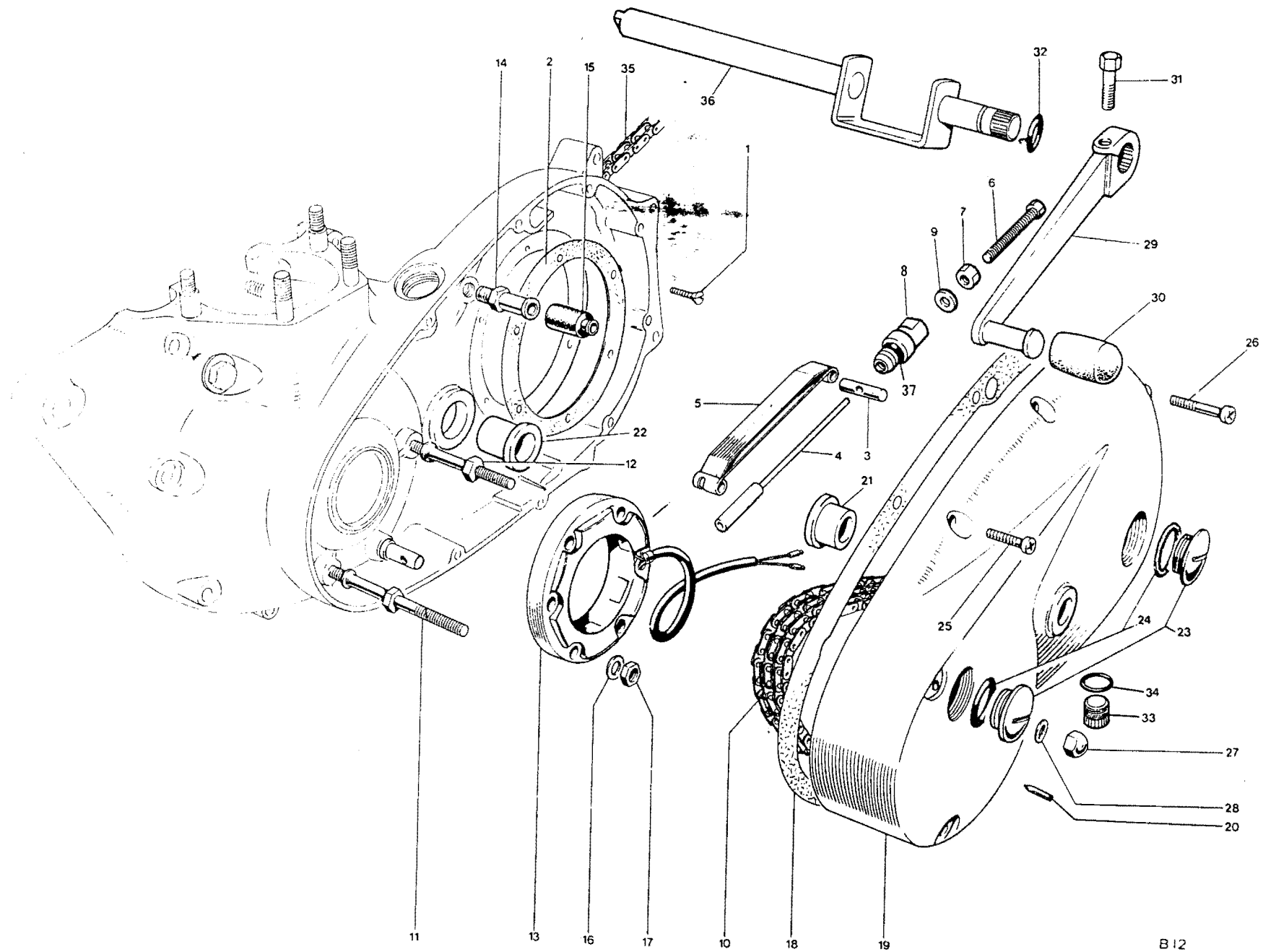


Fig. 15. CHAINCASE AND CHAINS

B 12

## CHAINCASE AND CHAINS

Ref. No.	Part No.	Description	Quantity	Remarks
1	70-3821	Countersunk screw	6	
2	71-1419	Joint washer	1	
3	70-5087	Trunnion	1	
4	71-7255	Tie rod - chain tensioner	1	
5	70-5085	Blade - chain tensioner	1	
6	21-7064	Screw - chain adjuster	1	
7	14-0401	Nut - screw	1	
8	71-7259	Plug - tensioner screw	1	
9	60-7268	Washer - for Nut	1	
10	60-4125	Primary chain, 3/8 in. Triplex x 84 links	1	
11	21-2199	Stator stud	2	
12	21-2198	Stator stud	1	
13	99-7057	Stator RH24	1	Lucas 47252
14	70-9360	Sleeve nut	1	
15	70-4144	Rubber grommet	1	
16	60-4247	Plain washer	3	
17	14-0702	Self-locking nut	3	
18	71-7009	Joint washer	1	
19	71-7003	Chaincase	1	
20	71-3892	Timing pointer	1	
21	57-0023	Bush - footchange spindle	1	
22	57-7009	Bush - footchange spindle inner	1	
23	71-3895	Inspection plug	2	
24	71-3896	'O' ring	2	
25	14-7006	Screw	6	
26	14-7019	Screw	2	
27	21-0544	Domed nut	2	
28	82-1880	Copper washer	2	
29	57-7010	Gearchange pedal	1	
30	57-2450	Pedal rubber	1	
31	14-0201	Bolt	1	
32	60-2640	'O' ring shift spindle	1	
33	14-7017	Drain plug - primary cover	1	
34	70-6299	'O' ring - drain plug	1	
35	60-2118	Rear chain 5/8 in. x 3/8 in. x 107 links	1	
36	57-7003	Footchange spindle	1	
37	70-6299	'O' Ring for plug - Ref. line 8	1	

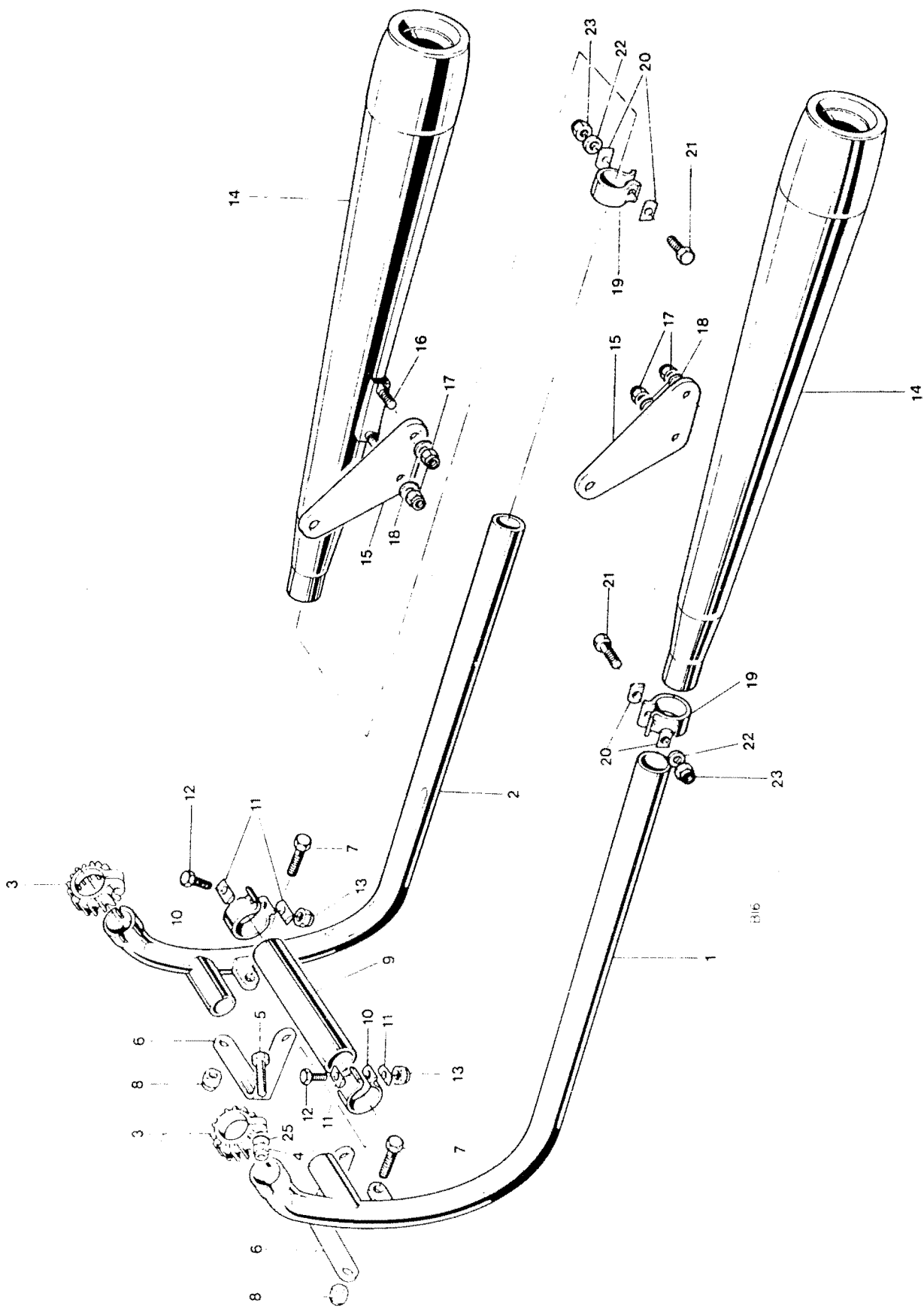


Fig. 19. EXHAUST PIPES AND MUFFLERS



## EXHAUST PIPES & SILENCERS

QUANTITY  
TR7 T140 T140  
RV E D

Ref. No.	Part No.	Description			
1	71-7387	Exhaust pipe - left	1	1	-
2	71-7390	Exhaust pipe - right	1	1	-
NI	71-7224	Exhaust pipe - left	-	-	1
NI	71-7225	Exhaust pipe - right	-	-	1
NI	71-7120	Threaded collar - pipe to head	-	-	2
NI	71-7121	Compression joint - pipe to head	-	-	2
3	71-2465	Finned clip	2	2	-
4	21-7009	Nut	2	2	-
5	21-2230	Screw	2	2	-
6	70-6857	Stay - exhaust pipe	2	2	-
7	14-2205	Screw	2	2	-
8	14-1201	Nut	2	2	-
NI	71-7222	Stay - exhaust pipe LH	-	-	1
NI	71-7223	Stay - exhaust pipe RH	-	-	1
7	14-2205	Screw - pipe to bracket	-	-	2
8	21-7050	Nut - screw	-	-	2
9	70-9888	Coupling pipe	1	1	-
10	70-7512	Clip	2	2	-
11	70-3768	'D' washer	4	4	-
12	14-0217	Bolt	2	2	-
13	14-1202	Nut	2	2	-
NI	71-7206	Junction pipe	-	-	1
NI	70-5874	Clip ex pipe to junction	-	-	2
NI	70-3768	D washer	-	-	4
NI	14-0219	Bolt	-	-	2
NI	14-0302	Nut	-	-	2
NI	60-2428	Washer	-	-	2
14	71-4159	Silencer	2	2	-
NI	71-7207	Silencer	-	-	1
15	83-7540	Hanger - silencer	2	2	-
NI	83-7582	Hanger - Silencer	-	-	1
16	14-0102	Bolt	4	4	2
17	14-1201	Nut	4	4	2
18	60-2338	Washer	4	2	-
19	70-5874	Clip	2	2	-
NI	70-3767	Clip	-	-	1
20	70-3768	'D' Washer	4	4	2
21	14-0219	Bolt	2	2	1
22	60-4247	Washer	2	2	1
23	14-1202	Nut	2	2	1

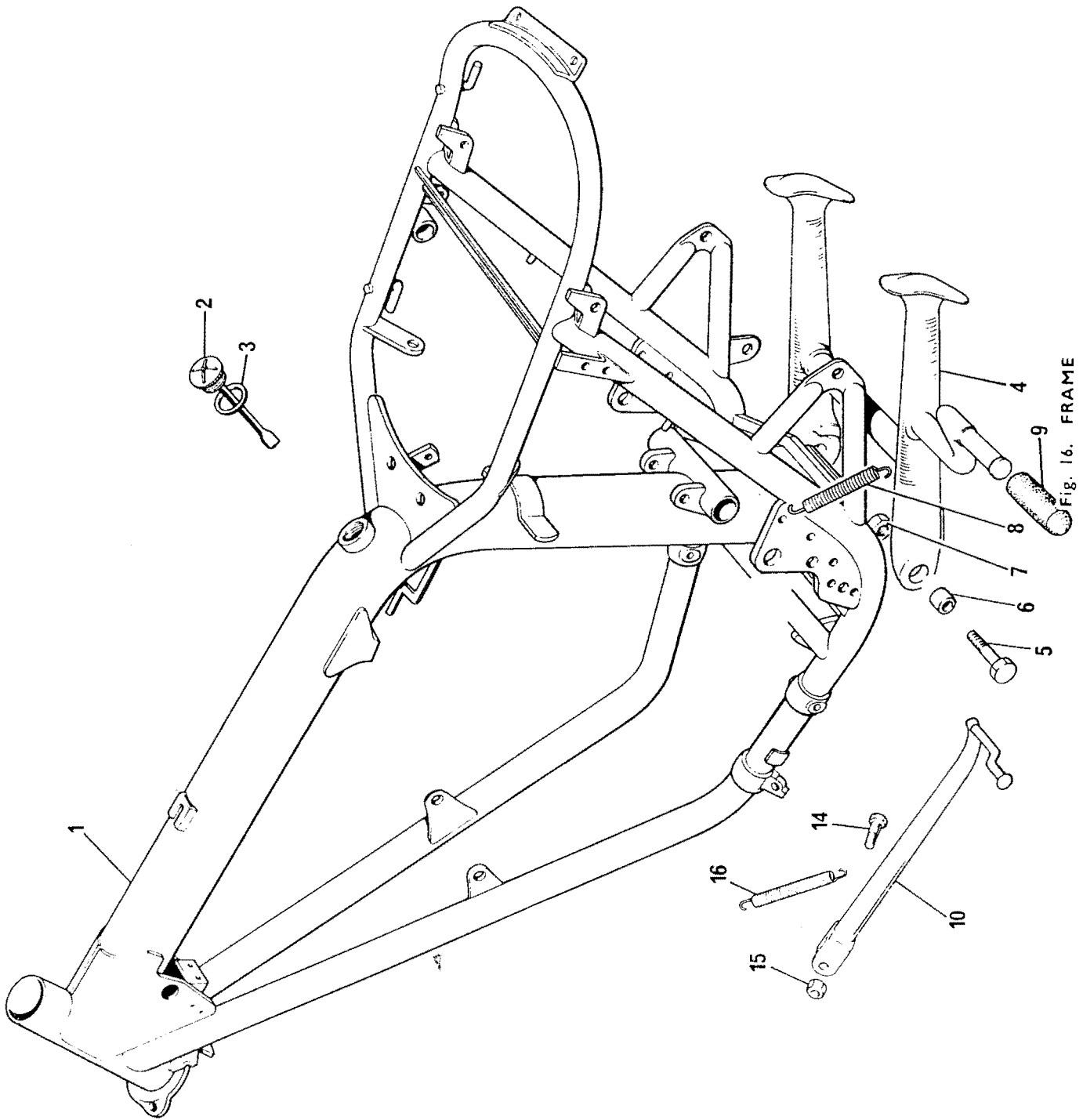


Fig. 16. FRAME

## FRAME

Ref. No.	Part No.	Description	Quantity		
			TR7 RV	T140 E	T140 D
1	83-7537	Frame	1	1	1
2	71-3463	Oil filler cap	1	1	1
3	60-3616	'O' ring	1	1	1
4	83-7532	Centre stand	1	1	-
4	83-7536	Centre stand	-	-	1
5	14-0147	Pivot bolt	2	2	2
6	83-7460	Pivot bearing bush	2	2	2
7	14-1305	Nut - Pivot bolt	2	2	2
8	83-3793	Return spring	1	1	1
9	57-2331	Pedal rubber	1	1	1
10	83-7553	Prop stand	1	1	-
11	83-7421	Prop stand	-	-	1
14	82-7021	Pivot bolt	1	1	1
15	14-1303	Nut - bolt	1	1	1
16	82-8382	Return spring	1	1	1
NI	60-3361	Transfer - "made in England"	1	1	1
NI	60-7168	Transfer - "ratio suppression"	1	1	1

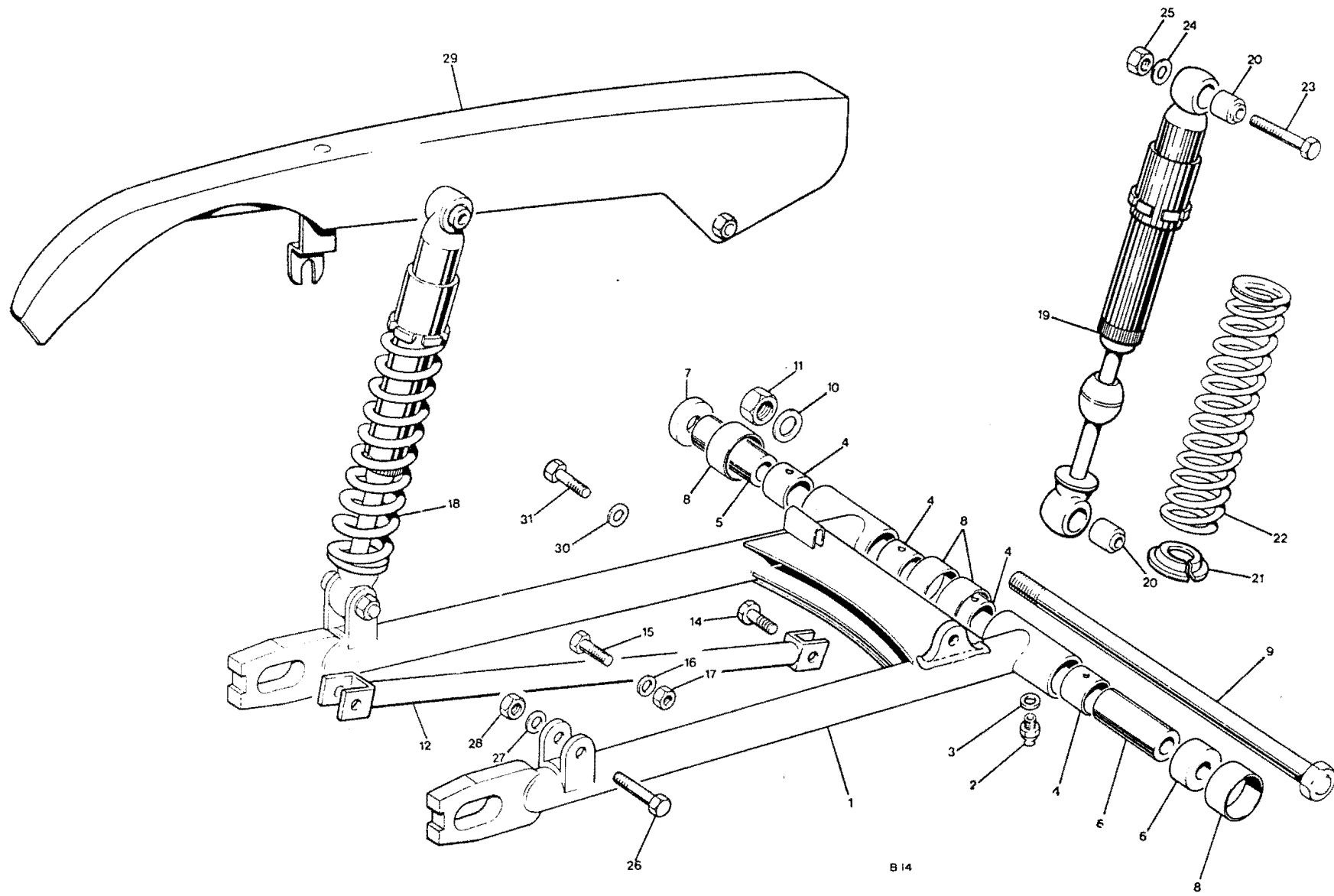
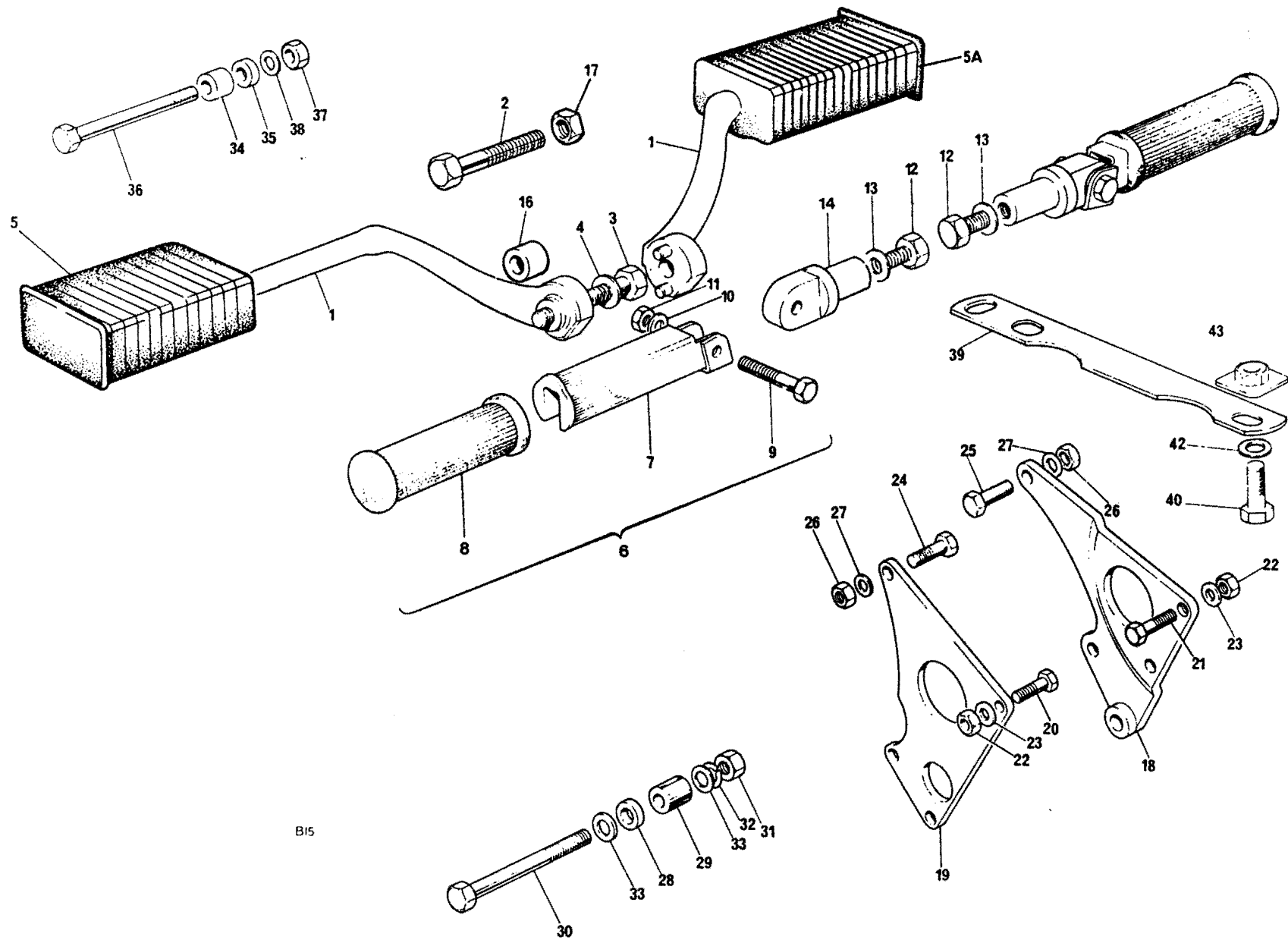


Fig. 17. SWINGING FORK AND SUSPENSION UNITS

B 14

### SWINGING ARM AND SUSPENSION UNITS

Ref. No.	Part No.	Description	Quantity	Remarks
1	83-7510	SWINGING ARM	1	
2	60-1841	Grease nipple	2	
3	83-7221	Washer, grease nipple	2	
4	83-2521	Bush, pivot arm	4	
5	83-2691	Sleeve, swinging arm pivot	2	
6	83-2690	Distance piece R.H.	1	
7	83-2689	Distance piece L.H.	1	
8	83-2692	Dirt excluder	4	
9	21-2087	Pivot bolt - swinging arm	1	
10	83-2266	Washer, swinging arm pivot	2	
11	14-1307	Nut, swinging arm pivot	1	
12	83-7534	Brake torque stay	1	
14	21-7047	Bolt torque stay - swinging arm	1	
15	21-7065	Bolt, torque stay - caliper	1	
16	60-2331	Washer, torque stay	2	
17	14-1803	Nut, torque stay	2	
18	60-7037	SUSPENSION UNIT	2	
19	99-7108	Damper unit	2	
20	99-7004	Rubber bush	4	
21	99-7005	Spring retainer	2	
22	99-1048	Spring chrome 110lbs.	2	
23	14-0235	Bolt, damper - top	2	
24	60-2331	Washer, damper - top	2	
25	14-1303	Nut, damper - top	2	
26	14-0234	Bolt, damper, lower	2	
27	60-2331	Washer damper lower	2	
28	14-1303	Nut damper lower.	2	
29	83-2641	Chainguard	1	
30	60-2347	Washer, chainguard fixing - front	1	
31	14-0206	Bolt, chainguard fixing front	1	

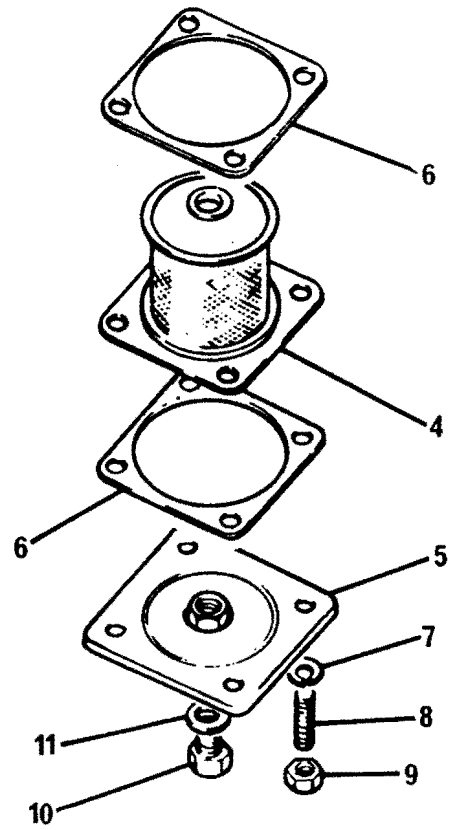
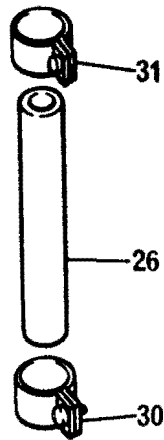
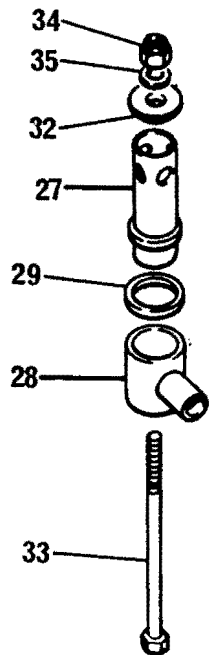
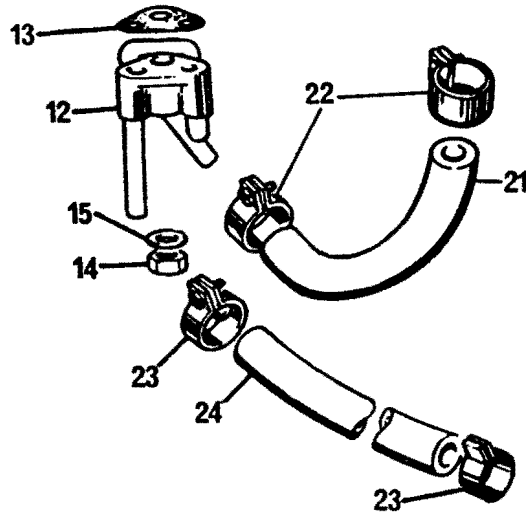
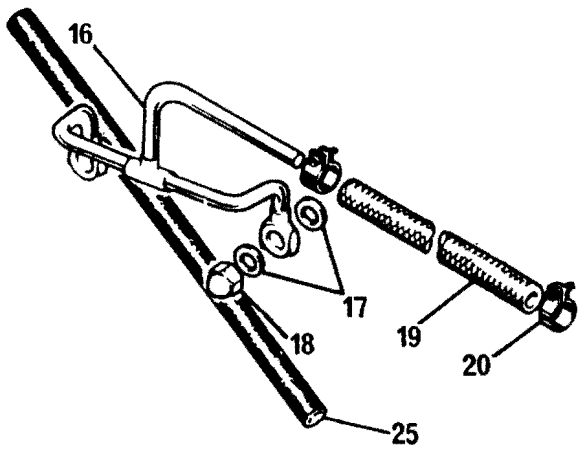


B15

Fig. 18. MOTOR UNIT FITTING AND FOOTRESTS

## MOTOR UNIT FITTINGS AND FOOTRESTS

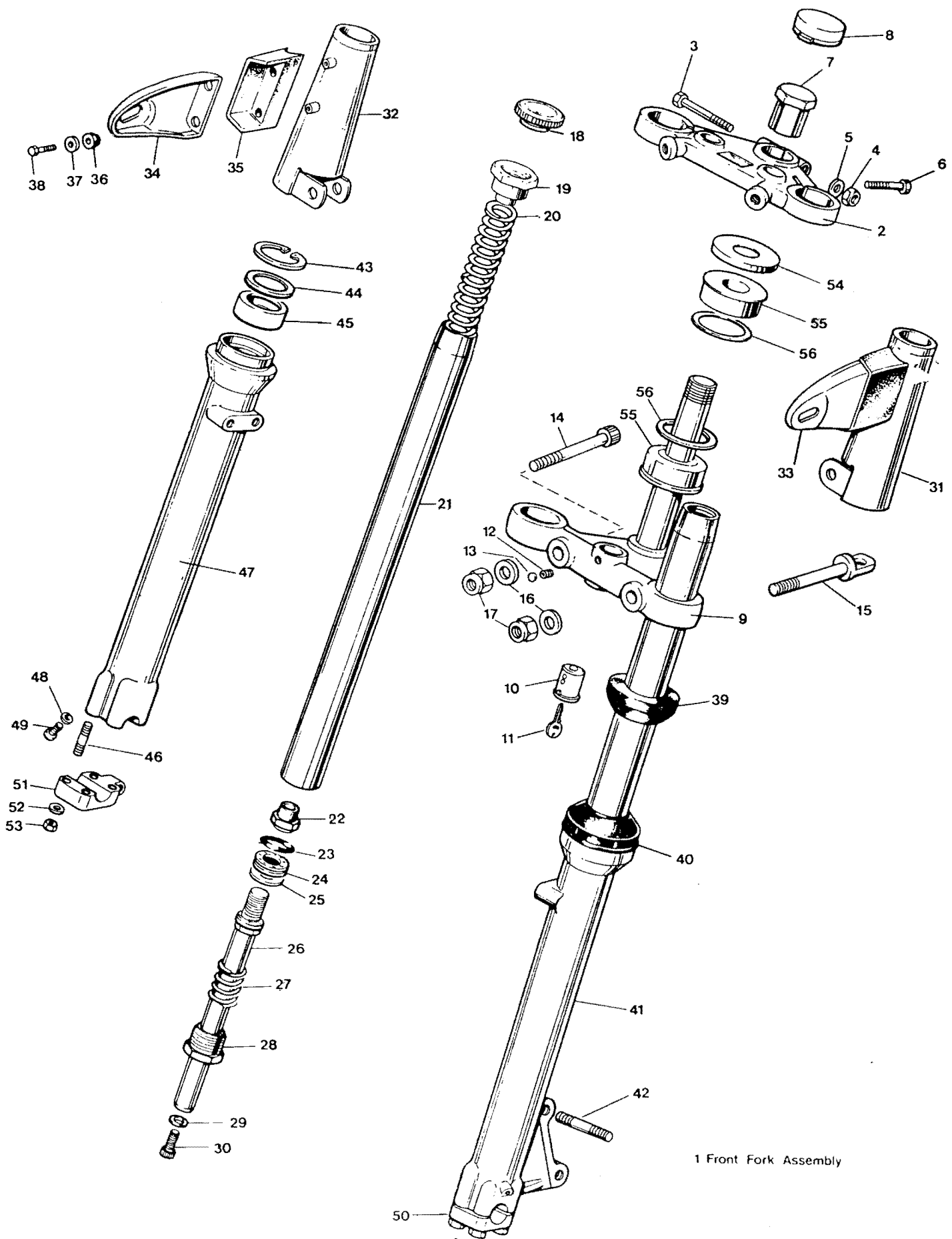
Ref. No.	Part No.	Description	Quantity	Remarks
1	83-7040	Footrest - left and right	2	
2	14-0261	Footrest bolt, right	1	
3	14-0259	Footrest bolt, left	1	
4	60-2333	Washer	2	
5	83-7256	Footrest rubber LH	1	
5A	83-7259	Footrest rubber RH	1	
6	83-7695	PILLION FOOTREST ASSEMBLY L.H. & R.H.	2	
7	83-7059	Pedal	2	
8	82-9054	Pedal Rubber	2	
9	14-0216	Bolt	2	
10	82-9089	Washer	2	} Footrest swivel
11	14-1302	Nut	2	
12	14-0128	Bolt	2	
13	60-2419	Washer	2	} Hanger to frame
14	83-7694	Hanger P/F	2	
14	21-7001	Hanger P/F L.H.	1	2 1 off D Model 1 D only
16	83-3602	Distance piece left footrest	1	
17	14-1305	Footrest bolt nut	2	
18	83-7011	Rear motor plate right	1	
19	83-7009	Rear motor plate left	1	
20	14-0115	Bolt	4	} Rear motor plates to frame
21	14-0116	Bolt	1	
22	14-1302	Nut	5	
23	60-2330	Washer	9	
24	14-0220	Bolt	2	} Motor to motor plates
25	14-0221	Bolt	2	
26	14-1302	Nut	4	
27	60-2321	Washer	8	
28	83-2846	Distance piece - left	1	} Motor to frame centre bottom
29	83-2847	Distance piece - right	1	
30	21-2112	Bolt	1	
31	14-0304	Nut	1	
32	60-4251	Washer	1	} Motor fixing front
33	60-2332	Washer	1	
34	83-2848	Distance piece - left	1	} Motor fixing front
35	83-2849	Distance piece - right	1	
36	14-0254	Bolt	1	
37	14-1304	Nut	1	
38	60-2332	Washer	1	} Bracket to frame
39	83-7467	Steady bracket motor to frame	1	
40	14-0128	Bolt	1	
42	60-2331	Washer	1	
43	83-4086	Attachment plate	1	





## OIL AND BREATHER PIPES

Ref. No.	Part No.	Description	QUANTITY		
			TR7 RV	T140 E	T140 D
4	83-4783	Oil filter	1	1	1
5	71-3316	Sump plate	1	1	1
6	83-2829	Gasket	2	2	2
7	60-2330	Washer	4	4	4
8	21-2109	Stud	4	4	4
9	14-1302	Nut	4	4	4
10	82-5343	Drain plug	1	1	1
11	70-1335	Copper washer - Drain plug	1	1	1
12	71-7176	Oil junction block	1	1	1
13	71-3754	Joint washer	1	1	1
14	21-1908	Nut	1	1	1
15	70-3446	Washer	1	1	1
16	71-3550	Rocker oil pipe	1	1	1
17	70-1335	Washer	4	4	4
18	21-0550	Nut	2	2	2
19	71-3551	Rocker feed pipe	1	1	1
20	70-6848	Clip - rocker feed pipe	2	2	2
21	71-7058	Oil return pipe	1	1	1
22	70-6848	Clip - return pipe	2	2	2
23	82-9073	Clip - feed pipe	2	2	2
24	71-7015	Oil feed pipe	1	1	1
25	83-7154	Oil tank vent pipe - to rocker box	1	1	1
26	83-7323	Breather pipe - crankcase to air box	-	1	1
27	83-7145	Breather tower	-	1	1
28	83-7148	Banjo union	-	1	1
29	70-1465	Washer - banjo union	-	1	1
30	60-2252	Clip - breather pipe to adaptor	-	1	1
31	60-7117	Clip - breather pipe to banjo	-	1	1
32	83-7151	Cap - breather tower top	-	1	1
33	14-0213	Bolt - breather tower to air box	-	1	1
34	14-1901	Nut - breather tower to air box	-	1	1
35	70-2441	Washer - breather tower to air box	-	1	1
NI	83-7387	Crankcase breather pipe	1	-	-
NI	60-2252	Clip - breather pipe - front	1	-	-
NI	83-1615	Clip - breather pipe to fender	4	-	-
NI	97-3894	Screw	4	-	-
NI	82-4719	Nut for Screw	4	-	-

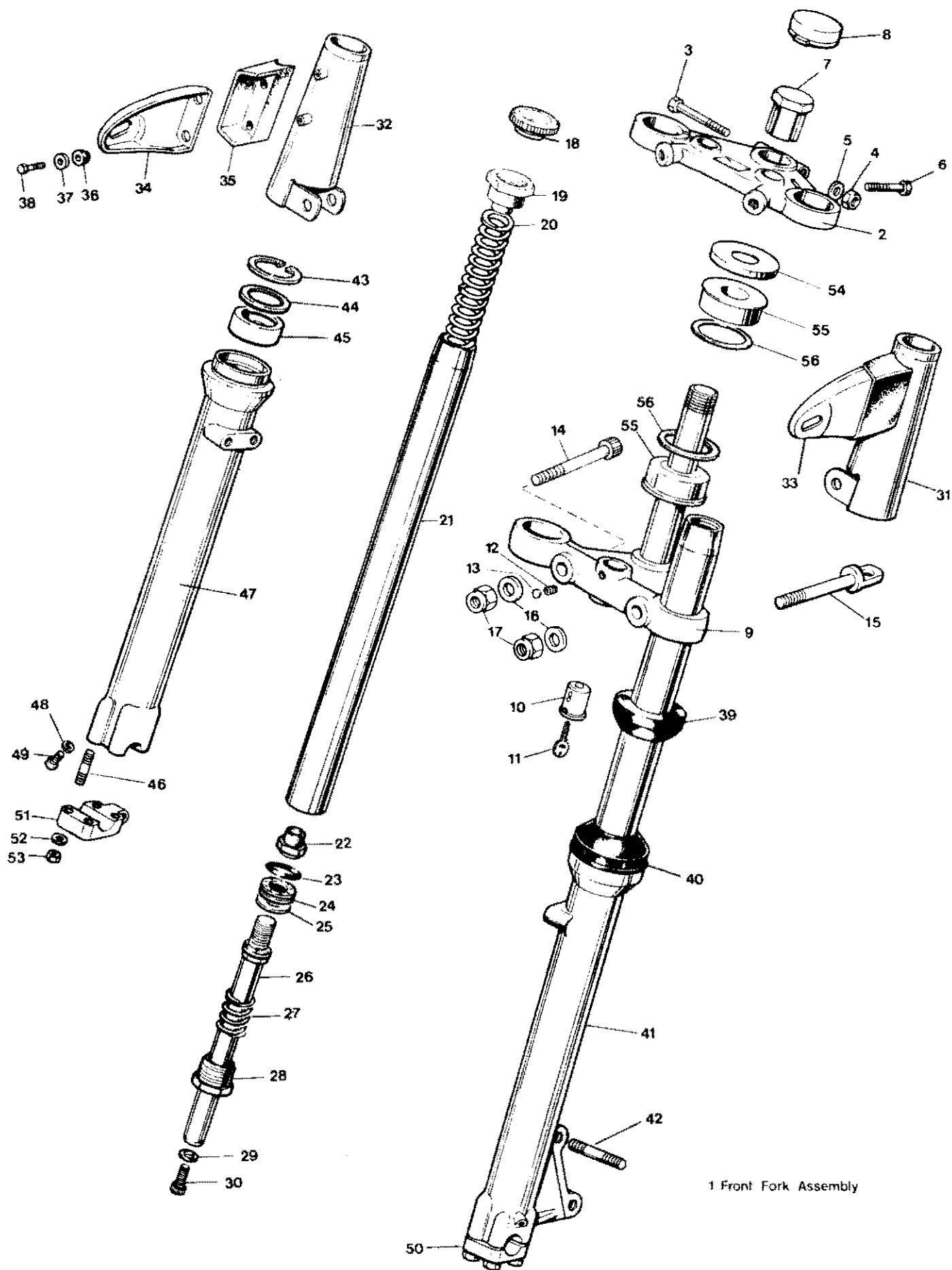


1 Front Fork Assembly

Fig. 20. TELESCOPIC FRONT FORK

## TELESCOPIC FRONT FORK

Ref. No.	Part No.	Description	QUANTITY		
			TR7 RV	T140 E	T140 D
1	97-7094	Fork assembly - neiman lock	-	-	1
1	97-7111	Fork Assy - less Gaiter	-	1	-
1	97-7107	Fork assembly - c/w gaiters neiman lock	1	1	-
2	97-7081	Top yoke	1	1	1
3	14-0234	Pinch bolt	1	1	1
4	14-1303	Nut	1	1	1
5	60-2331	Washer	1	1	1
6	14-1034	Cap screw	2	2	2
7	97-7070	Steering stem nut	1	1	1
8	97-7071	Cap steering stem nut	1	1	1
9	97-7095	Bottom yoke & stem neiman lock	1	1	1
10	60-7271	Lock c/w 2 keys neiman type	1	1	1
11	60-0623	Key (state serial no.)	As required		
12	21-0578	Grub screw lock fixing	1	1	1
13	97-2266	Sealing washer	1	1	1
14	14-0237	Pinch bolt - right	1	1	1
15	97-4476	Eye bolt - left	1	1	1
16	83-2184	Washer	4	4	4
17	14-1303	Nut	2	2	2
18	97-7034	Cap screw assembly c/w insert	2	2	2
N/I	97-4259	Insert self adhesive	2	2	2
19	97-4387	Top nut	2	2	2
20	97-4011	Main spring	2	2	2
21	97-4380	Stanchion	2	2	2
22	97-4012	Nut - damper valve	2	2	2
23	97-4003	'O' ring	2	2	2
24	97-4020	Damper valve	2	2	2
25	97-4010	Plain washer - damper valve	2	2	2
26	97-4325	Damper tube	2	2	2
27	97-4009	Recoil spring	2	2	2
28	97-4076	End plug	2	2	2
29	97-4004	Sealing washer	2	2	2
30	14-1019	Damper fixing screw	2	2	2
31	97-4480	Outer cover left	1	1	1
32	97-4481	Outer cover right	1	1	1
33	47-4564	Headlamp bracket left	1	1	1



1 Front Fork Assembly

Fig. 20. TELESCOPIC FRONT FORK

## TELESCOPIC FRONT FORK

Ref. No.	Part No.	Description	QUANTITY		
			TR7 RV	T140 E	T140 D
34	97-4203	Headlamp bracket	1	1	1
35	97-2208	Rubber mounting	2	2	2
36	97-2209	Rubber buffer	4	4	4
37	97-2210	Backing washer	2	2	2
38	21-2095	Bolt - attachment	2	2	2
39	97-4461	Rubber ring outer	2	2	2
40	97-4002	Scraper sleeve	2	2	2
N/I	97-1510	Gaiter	2	2	2
41	97-7087	Bottom member LH	-	-	1
42	21-2189	Stud - caliper	-	-	2
43	60-7269	Circlip	-	-	1
44	97-7093	Retainer	-	-	1
45	97-7079	Oil seal	-	-	1
46	21-2102	Stud - spindle	-	-	2
41	97-7088	Bottom member LH	1	1	-
42	21-2189	Stud - caliper	2	2	-
43	60-7269	Circlip	1	1	-
44	97-7093	Retainer	1	1	-
45	97-7079	Oil seal	1	1	-
46	21-2102	Stud - spindle	2	2	-
47	97-7089	Bottom member RH	1	1	1
43	60-7269	Circlip	1	1	1
44	97-7093	Retainer	1	1	1
45	97-7079	Oil seal	1	1	1
46	21-2102	Stud - spindle	2	2	2
48	97-3893	Washer - drain plug	2	2	2
49	97-3894	Drain plug	2	2	2
50	97-4456	Cap wheel spindle L.H.	1	1	-
50	97-7062	Cap wheel spindle L.H. 'D'	-	-	1
51	97-4457	Cap wheel spindle R.H.	1	1	-
51	97-7082	Cap wheel spindle R.H. 'D'	-	-	1
52	60-2428	Washer - cap	8	8	8
53	14-0302	Nut - cap	8	8	8
54	97-4028	Dust cover	1	1	1
55	97-4031	Bearing	2	2	2
56	83-2007	Backing ring	2	2	2
N/I	82-6784	Grommett throttle cable	1	1	1

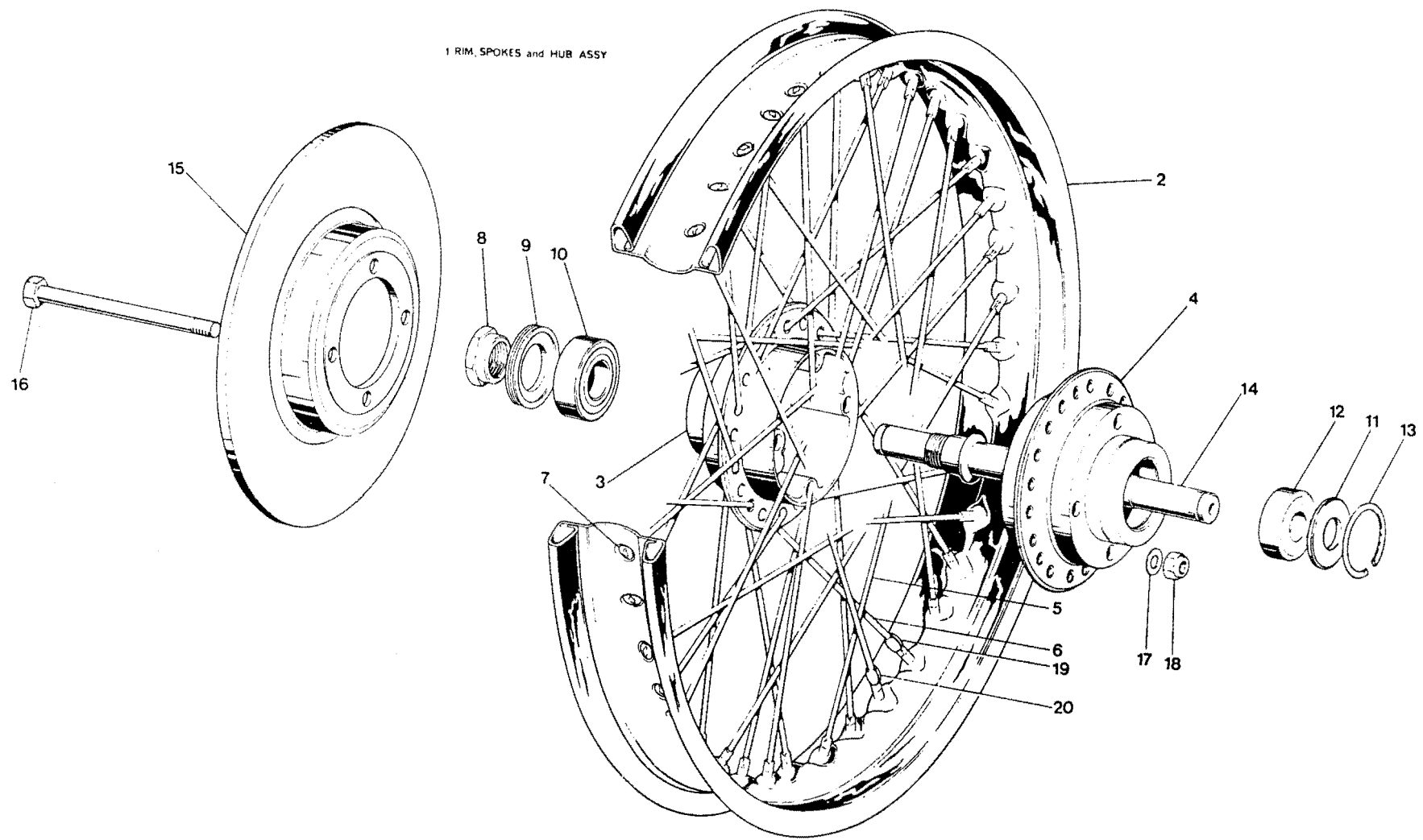


Fig. 22 FRONT WHEEL

## FRONT WHEEL

Ref. No.	Part No.	Description	QUANTITY		
			TR7	T140	T140
			RV	E	D
1	37-7057	Rim, spokes and hub assy	1	1	-
2	37-4129	Rim WM2 x 19	1	1	-
3	37-7058	Hub - left half	1	1	-
4	37-7059	Hub - right half	1	1	-
5	37-4131	Spoke - outer	20	20	-
6	37-4130	Spoke - inner	20	20	-
7	37-2294	Nipple	40	40	-
8	37-4133	Nut - wheel spindle	1	1	-
9	37-4134	Lock ring - left	1	1	-
10	37-7041	Bearing - left	1	1	-
11	37-1237	Dust cover - right	1	1	-
12	37-7042	Bearing - right	1	1	-
13	57-0280	Circlip - right	1	1	-
14	37-4132	Spindle	1	1	-
15	37-4275	Disc	1	1	-
16	21-2207	Bolt	4	4	-
17	70-8770	Washer	8	8	-
18	14-1203	Nut	4	4	-
19	37-3969	Balance weight - short	As required		
20	37-3970	Balance weight - long	As required		
NI	37-7101	Front wheel - less fittings	-	-	1
NI	37-7042	Bearing	-	-	2
NI	37-7075	Spacer	-	-	1
NI	37-7078	Backing ring	-	-	1
NI	37-7076	Bearing lock ring	-	-	1
NI	37-7077	Hub end plate LH	-	-	1
NI	37-7079	Brake disc	-	-	1
NI	21-7042	Bolt - disc to hub	-	-	6
NI	60-2330	Washer - nut	-	-	6
NI	14-1202	Nut - bolt	-	-	6
NI	37-7080	Distance piece wheel spindle	-	-	1
NI	60-2326	Washer - nut	-	-	1
NI	14-1307	Nut - wheel spindle	-	-	1
NI	37-7107	Balance weight pack - as required	-	-	1
NI	37-7081	Wheel spindle	-	-	1

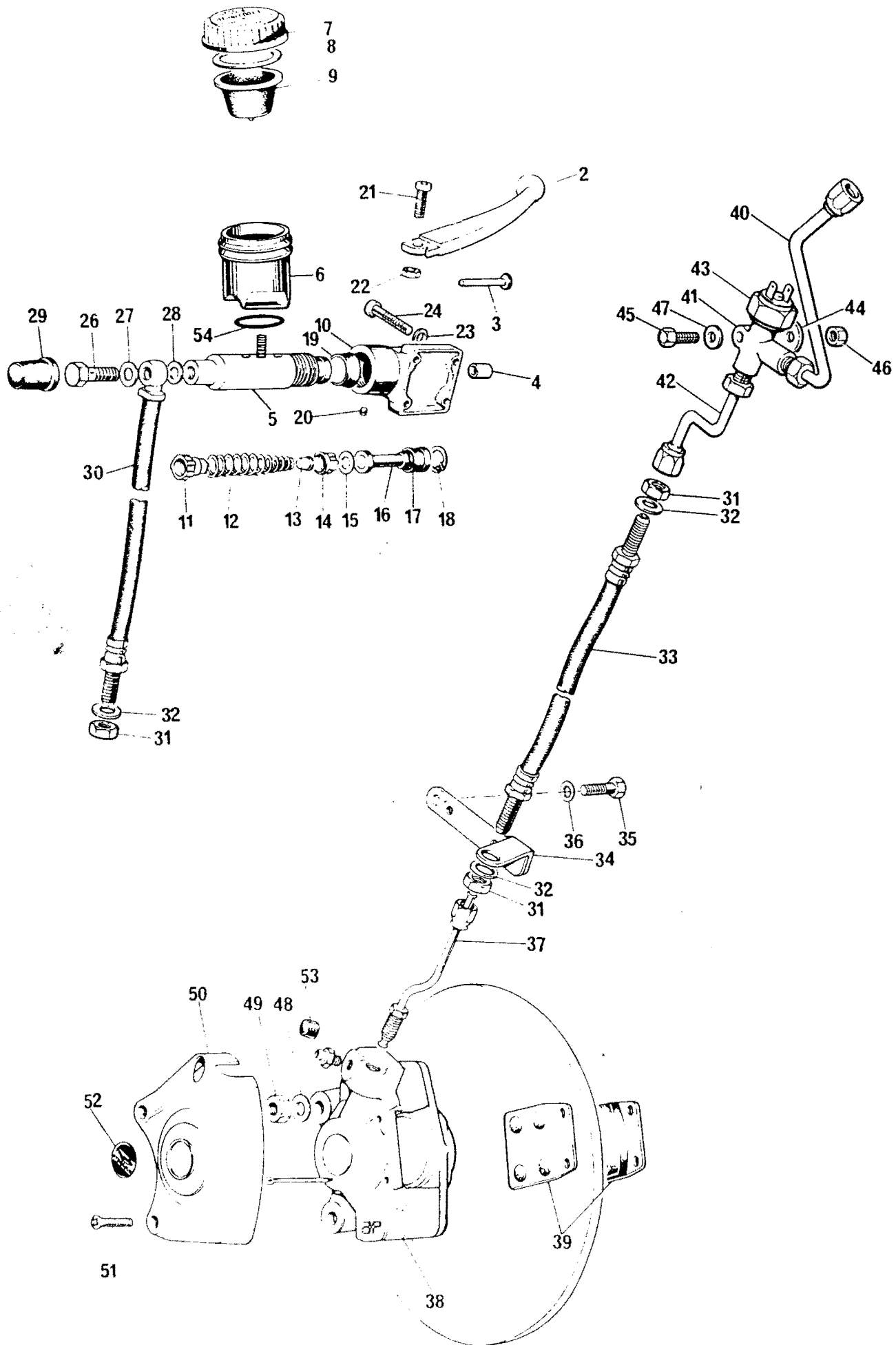
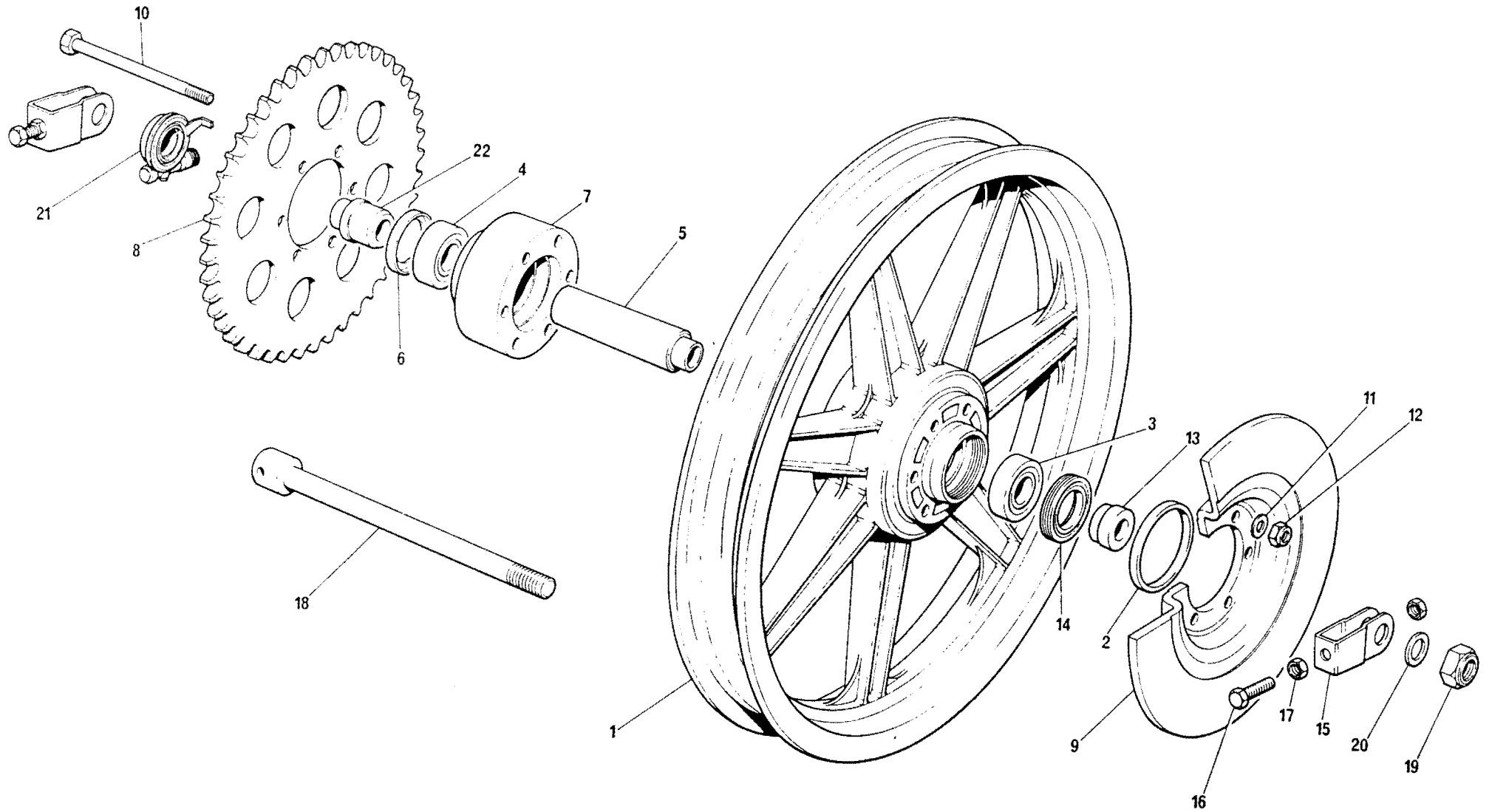


Fig. 23. FRONT BRAKE



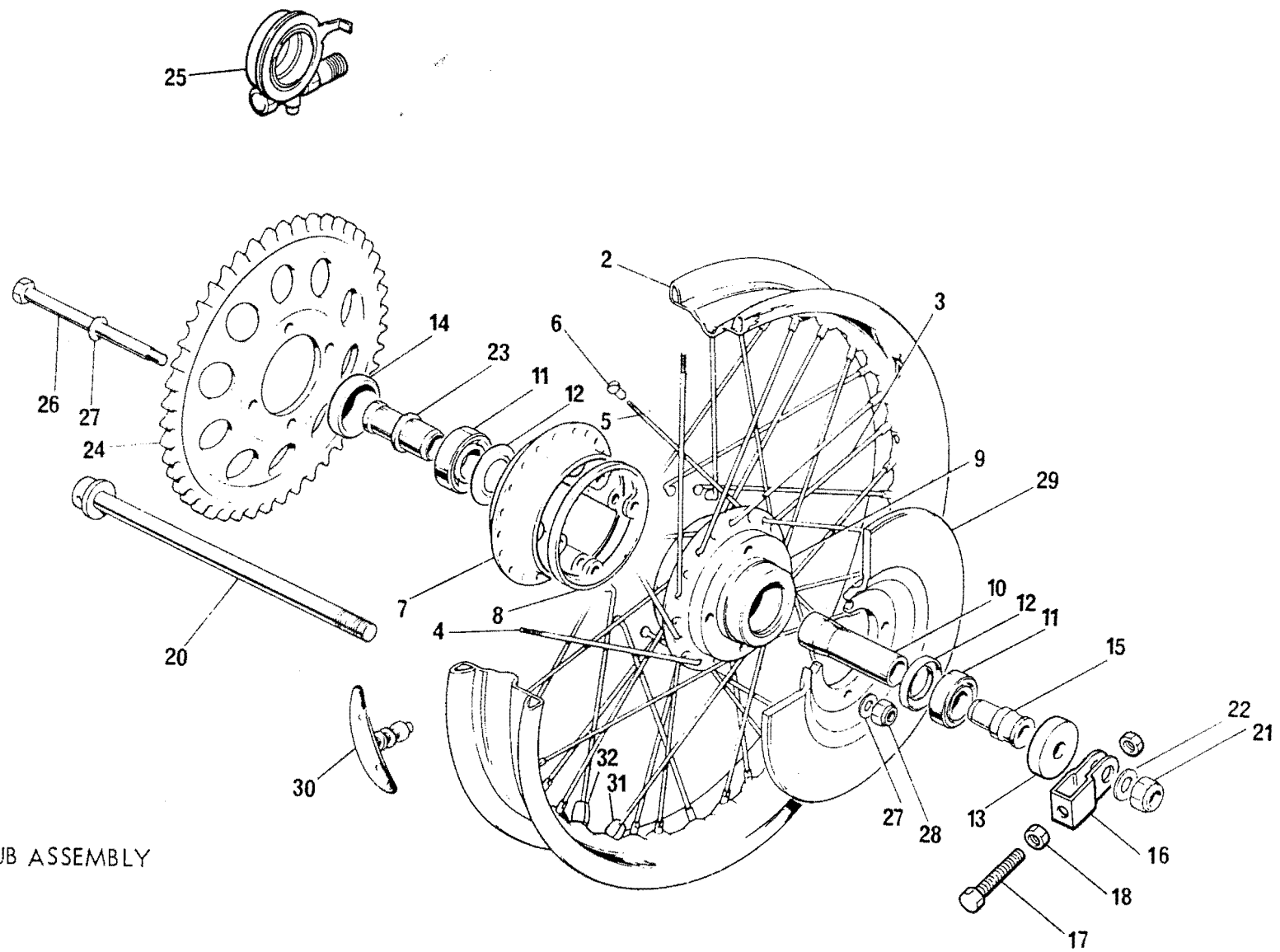
## FRONT BRAKE

Ref. No.	Part No.	Makers Part No.	Description	Quantity	Remarks
1	60-7163	4222-986	MASTER CYLINDER ASSY	1	
2	97-5074		Brake lever	1	
3	60-7158		Push rod	1	
4	60-7165		Bush for pushrod	1	
5	99-7027	4211-134	Barrel & stud assembly	1	
6	60-4397	3251-821	Body Reservoir	1	
7	60-4365	3847-248	Cap	1	
8	60-4328	3853-238	Washer	1	
9	60-4366	3818-747	Diaphragm	1	
10	60-7164		Master cyl mtg body	1	
11	AP.LTD		Use 99-2768	1	
			Trap valve	1	} Ref only
12	AP.LTD		Spring	1	
12	AP.LTD		Spring	1	
13	AP.LTD		Spring retainer	1	
14	AP.LTD	Use 99-2768	Primary cup	1	
15	AP.LTD	Use 99-2768	Piston washer	1	
16	AP.LTD		Piston	1	
17	AP.LTD	Use 99-2768	Secondary cup	1	
18	AP.LTD	K29103	Circlip	1	
19	AP.LTD	Use 99-2768	Rubber boot	1	
20	AP.LTD	3476-209	Grub screw	1	} Ref only
21	21-2191		Pivot screw	1	
22	14-1201		Nut	1	
23	23-1555		Washer	4	
24	21-7038		Screw	4	
26	60-4183	30420	Banjo bolt	1	
27	60-4182	KL44518	Sealing washer	1	
28	60-4184	KL44516	Sealing washer	1	
29	60-4626	3817-811	Rubber boot	1	
30	60-7174	4376-405L	Hose, master cylinder/top yoke c/w boot	1	for high handlebar
30	60-4177	KL100717L	Hose, master cylinder/top yoke	1	For low handlebar
31	60-4180	K24103	Locknut	3	
32	70-2288	K19407	Washer	3	
33	60-4175	KL100613L	Hose, bottom yoke/fork leg	1	
34	83-7064		Bracket - pipe support	1	
35	14-0103		Bolt	4	} Bracket to fork leg and bridge piece
36	60-2427		Washer	4	
37	60-4178	ZTA2070N	Pipe, fork leg/caliper	1	
38	60-4101	4261-476	CALIPER	1	
39	99-2769	LDB750DC230	Brake pad kit	1	
Not illus.	99-7006	KL71594	Caliper seal kit	1	
40	60-7177		Pipe - top lug to 'T'	1	
41	60-7176	3725-617	'T' piece	1	
42	60-7178		Pipe - 'T' to middle lug	1	
43	60-7155	2SH34619	Brake switch	1	
Not illus.	70-1335		Washer brake switch	1	
44	97-7042		Bracket 'T' piece	1	
45	14-0105		Screw - bracket to 'T'	1	
46	14-1301		Nut - bracket to 'T'	1	
47	60-2329		Washer - bracket to 'T'	1	
48	60-2331	-	Washer	2	} Caliper to outer member
49	14-1303	-	Nut	2	
50	37-4263	-	Cover, caliper	1	
51	21-2196	-	Screw, cover attachment	2	
52	60-4156	-	Decal, caliper cover	1	
53	60-4266	363-400	Cover, bleed nipple	1	
Not illus.	99-2768	SSB930	Front master cyl. seal kit	1	
54	60-4374	-	'O' ring	1	



## REAR WHEEL

Ref. No.	Part No.	Description	QUANTITY		
			TR7	T140	T140
			RV	E	D
1	37-7102	Rear wheel - less fittings	-	-	1
2	37-7090	Backing ring	-	-	1
3	37-7042	Bearing RH	-	-	1
4	37-7041	Bearing LH	-	-	1
5	37-7106	Spacer	-	-	1
6	37-7054	Dust cover LH bearing	-	-	1
7	37-7088	Spacer - hub to sprocket	-	-	1
8	37-7089	Sprocket	-	-	1
9	37-7079	Brake disc	-	-	1
10	21-7043	Bolt - disc/sprocket to hub	-	-	6
11	60-2330	Washer for nut	-	-	6
12	14-1202	Nut - bolt	-	-	6
13	37-7091	Distance piece - bearing to caliper plate	-	-	1
14	37-7076	Lock ring - RH bearing	-	-	1
15	37-7127	Chain adjuster	-	-	2
16	14-0118	Screw - chain adjuster	-	-	2
17	14-0302	Nut - chain adjuster	-	-	4
18	37-7113	Spindle	-	-	1
19	14-1307	Nut - spindle	-	-	1
20	83-2266	Washer - nut	-	-	1
21	60-7091	Speedo drive	-	-	1
22	37-7052	Distance piece - L.H. Bearing			1



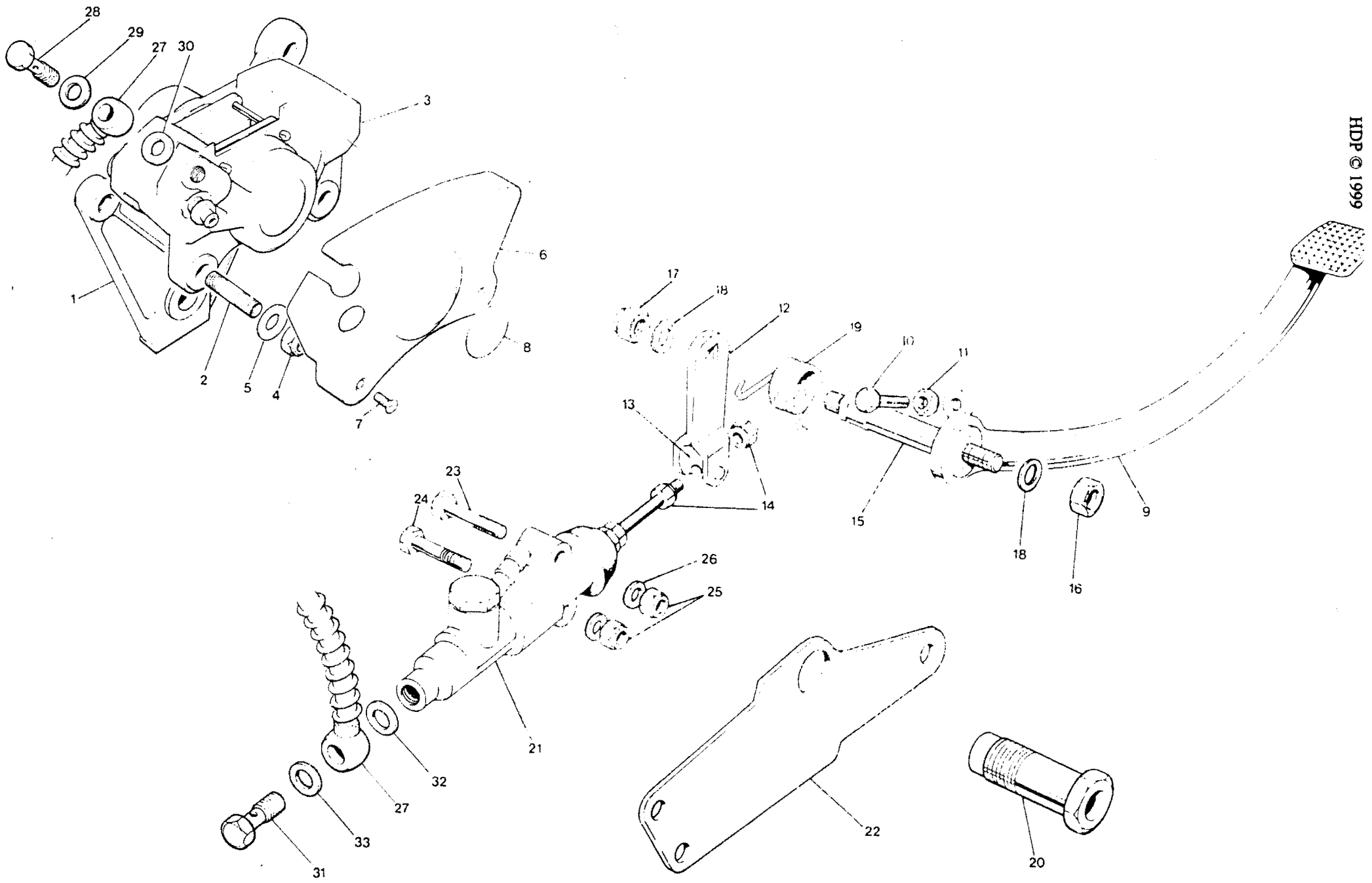
69

REF. 1 RIM, SPOKES AND HUB ASSEMBLY

Fig. 24. REAR WHEEL

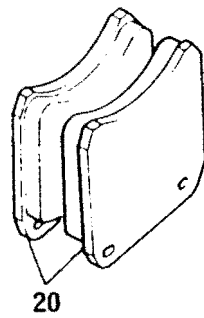
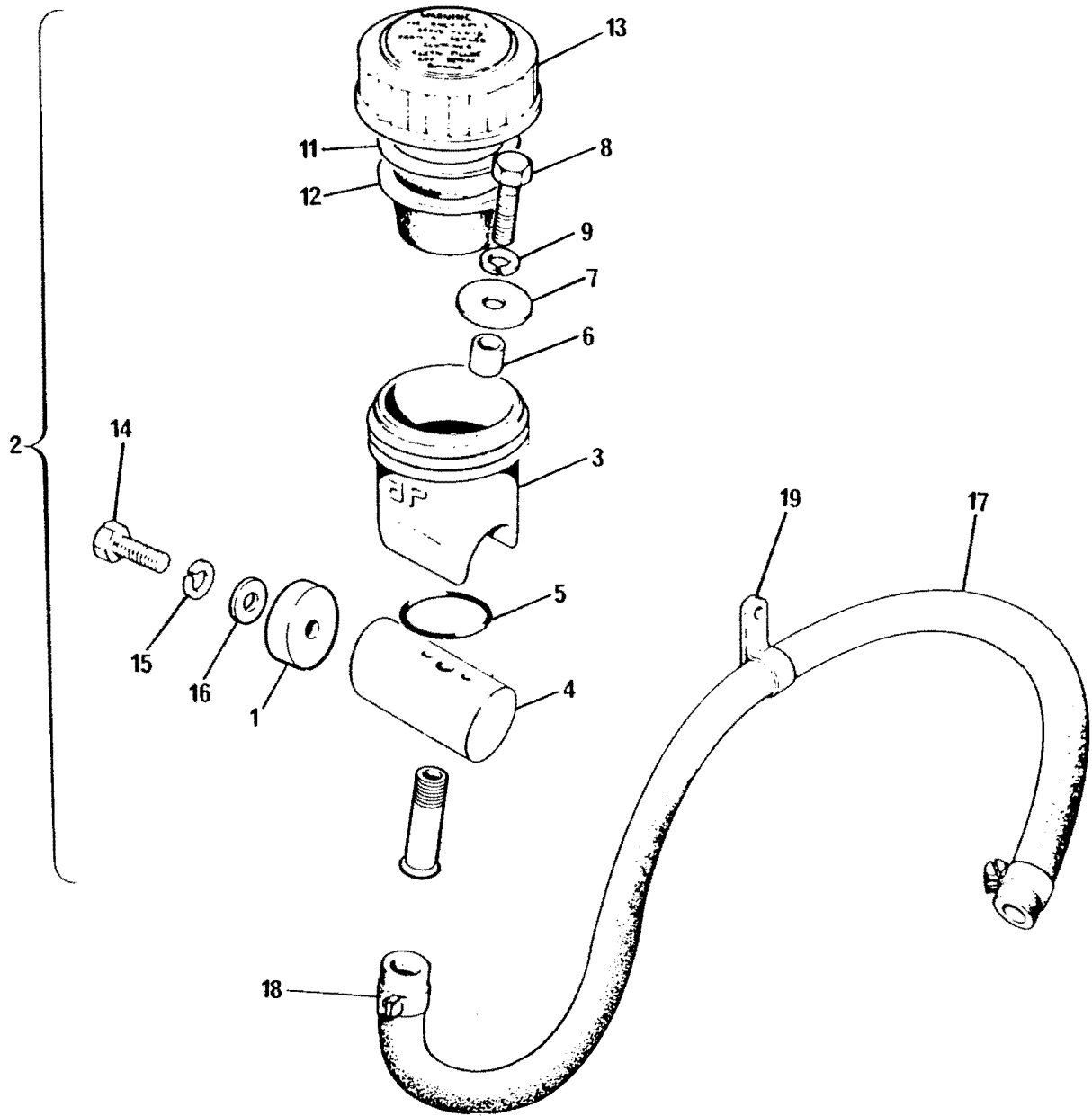
## REAR WHEEL

Ref. No.	Part No.	Description	QUANTITY		
			TR7 RV	T140 E	T140 D
1	37-7061	RIM, SPOKES AND HUB ASSY	1	1	-
2	37-7030	Rim WM3 x 18	1	1	-
3	37-7031	Spoke	20	20	-
4	37-7032	Spoke	10	10	-
5	37-7033	Spoke	10	10	-
6	37-7034	Nipple	40	40	-
7	37-7047	Hub - left	1	1	-
8	37-7063	Centre spacer - hub	1	1	-
9	37-7062	Hub - right	1	1	-
10	37-7051	Spacer tube bearing	1	1	-
11	37-7041	Bearing left & right	2	2	-
12	37-4135	Retaining washer	2	2	-
13	37-7055	Lock ring RH	1	1	-
14	37-7054	Dust cover RH	1	1	-
15	37-7111	Spacer RH bearing	1	1	-
16	37-7127	Chain adjuster	2	2	-
17	14-0118	Screw - chain adjuster	2	2	-
18	14-0302	Nut - chain adjuster	4	4	-
20	37-7113	Spindle	1	1	-
21	14-1307	Nut - spindle	1	1	-
22	83-2266	Washer - spindle nut	1	1	-
23	37-7052	Spacer LH bearing	1	1	-
24	37-7064	Sprocket 47 tooth	1	1	-
24	37-7072	Sprocket 45 tooth	A	A	-
25	60-7091	Speedo drive gearbox	1	1	-
26	21-7041	Bolt - disc/sprocket to hub	4	4	-
27	70-8770	Washer - bolt and nut	8	8	-
28	14-1203	Nut - bolt	4	4	-
29	37-4275	Disc	1	1	-
30	37-3468	Securing bolt	1	1	-
31	37-3969	Balance weight - short	As required		
32	37-3970	Balance weight - long	As required		



## REAR BRAKE

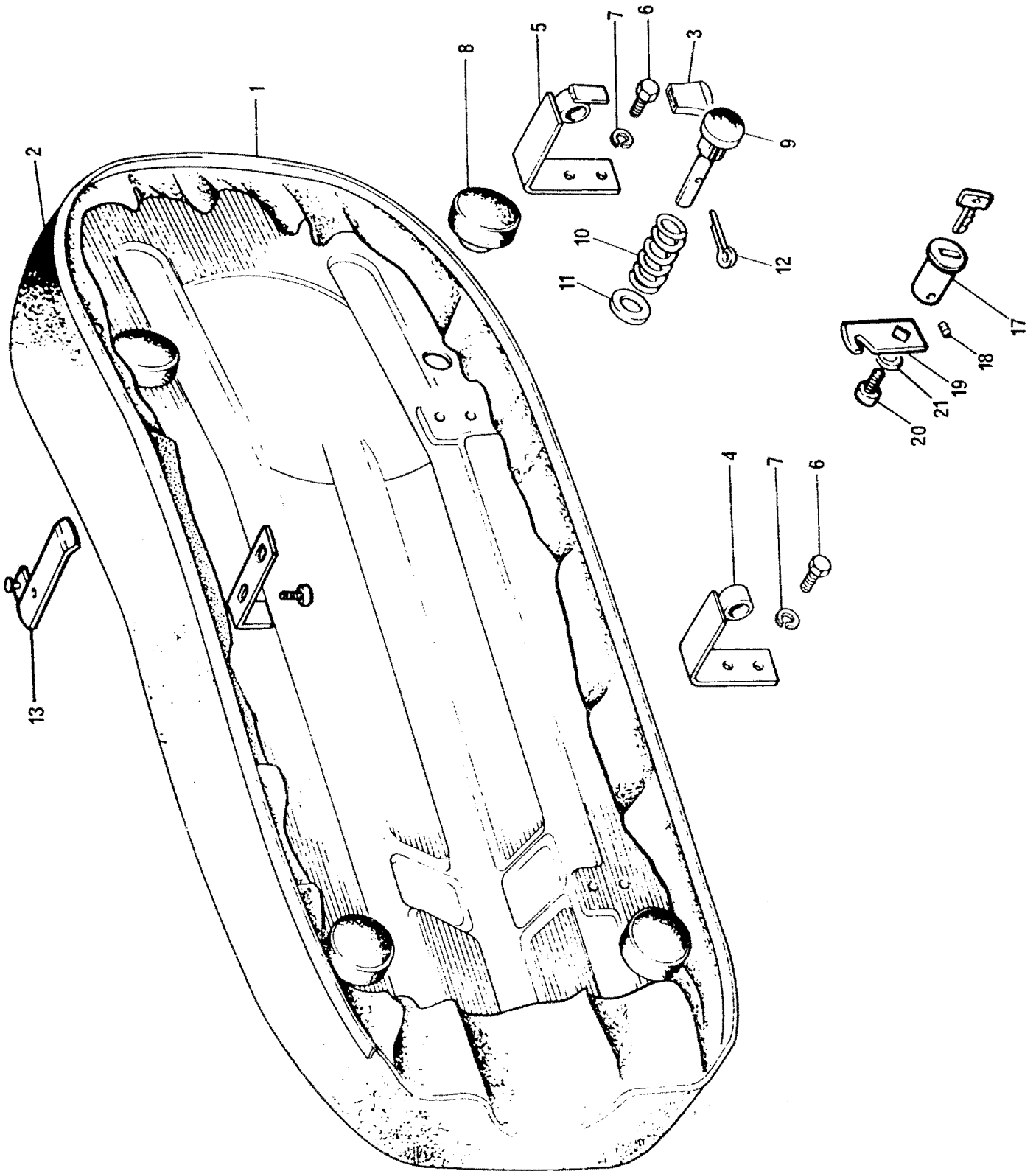
Ref. No.	Part No.	Description	Quantity	Remarks
1	37-7124	Rear caliper mounting plate	1	
2	21-2189	Stud - caliper to plate	2	
3	60-4101	Caliper	1	
4	14-1303	Nut - caliper to mounting plate stud	2	
5	60-2331	Washer, for nut	2	
6	37-4263	Cover - caliper	1	
7	21-2196	Screw - cover	2	
8	60-4156	Decal - cover	1	
9	83-7560	Brake pedal	1	
10	14-0103	Screw, adjuster - stop light	1	
11	14-0301	Nut, adjuster screw	1	
12	83-7003	Trunnion lever	1	
13	83-7024	Trunnion	1	
14	21-7006	Adjuster nut, push rod	2	5/16" UNF shouldered
15	83-7046	Spindle, rear brake pedal	1	
16	14-1903	Nut, brake pedal spindle, outer	1	
17	14-1303	Nut, brake pedal spindle, inner	1	
18	60-2331	Washer, for nut	2	
19	83-7016	Return spring, brake pedal	1	
20	83-7163	Pivot bolt	1	
21	60-4401	Master cylinder complete	1	
22	83-7567	Mounting plate, master cylinder	1	
23	14-0221	Bolt master cylinder fixing - top	1	
24	21-7007	Bolt, master cylinder fixing - bottom	1	
25	14-1302	Nut,	2	
26	60-2330	Washer for nut	2	
27	60-7233	Brake hose	1	
28	60-7236	Banjo bolt - caliper	1	
29	60-4184	Sealing washer - thin	1	
30	37-7100	Sealing washer - thick	1	
31	60-4183	Banjo bolt - master cylinder	1	
32	60-4182	Sealing washer	1	
33	60-4184	Sealing washer under head	1	





## REAR BRAKE (continued)

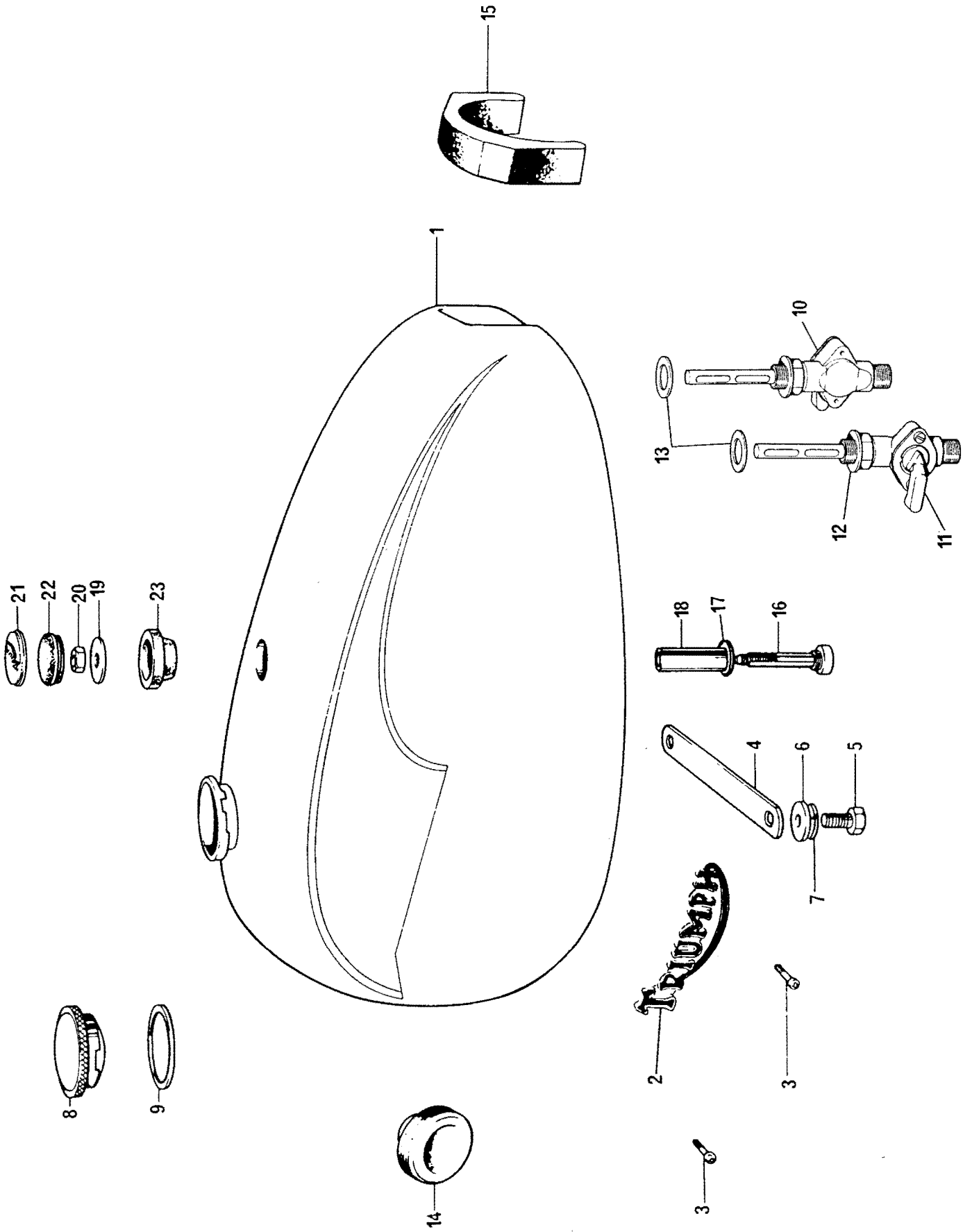
Ref. No.	Part No.	Makers Part No.	Description	Quantity	Remarks
1	83-7533		Distance tube - reservoir mntg	1	
2	83-7521		Reservoir assy	1	
3	60-4397		Reservoir Body	1	
4	83-7501		Mounting, reservoir c/w pipe	1	
5	60-4374	3855/814	'O' ring	1	
6	83-7533		Distance piece	1	
7	60-4399	3512/305	Washer	1	
8	14-0102		Bolt, body to mounting	1	
9	60-2427		Spring washer for bolt	1	
11	60-4328		Washer, paper	1	
12	60-4366	3818/747	Diaphragm	1	
13	60-4365	3847/240	Filler cap	1	
14	14-0101		Bolt, mounting to side panel	1	
15	60-2427		Washer, spring	1	
16	60-2338		Washer, plain	1	
17	60-8248	60 7248	Hose, reservoir to master cylinder	1	
18	60-7030		Clip, hose	2	
19	83-7049		Clip, hose retaining	1	
NI	99-2768		Master cylinder seal kit		
20	99-2769		Brake pad kit		
NI	99-7006	KL71594	Caliper seal kit		



## TWIN SEAT

QUANTITY  
TR7 T140 T140  
RV E D

Part No.	Description	TR7 RV	T140 E	T140 D
1	83-7271 Twinseat - for use with 2·8 gall tank	1	1	-
1	83-7272 Twinseat - for use with 4·0 gall tank	1	1	-
1	83-7391 Twinseat	-	-	1
2	83-7131 Cover twinseat - use with 2·8 tank	1	1	-
2	83-7132 Cover twinseat - use with 4·0 tank	1	1	-
2	83-7392 Cover twinseat	-	-	1
3	83-7544 Plastic sleeve - seat hinger rear	1	1	1
4	83-4782 Hinge - twinseat front	1	1	1
5	83-7542 Hinge - twinseat rear	1	1	1
6	14-0101 Bolt - hinge	4	4	4
7	60-2417 Washer - spring	4	4	4
8	82-9093 Rubber buffer	4	4	4
9	82-7560 Plunger & knob		1	1
10	82-4228 Spring	1	1	1
11	71-3749 Plain washer	1	1	1
12	60-2720 Split pin	1	1	1
NI	60-7159 Transfer neg earth	1	1	1
NI	60-7226 Data label	-	-	1
13	83-7329 Catch plate seat	1	1	1
14	83-7276 Screw plate fixing	1	1	1
NI	14-1301 Nut	1	1	1
NI	60-2329 Washer	1	1	1
17	60-7215 Twinseat lock assy c/w keys	1	1	1
18	21-7049 Grub screw - lock retaining	1	1	1
19	83-7328 Catch plate - lock	1	1	1
20	97-3894 Screw - catch plate to lock	1	1	1
21	97-1388 Washer	1	1	1
NI	60-7071 Data label	1	1	-



## PETROL TANK

QUANTITY  
TR7 T140T140  
RV E D

Ref. No.	Part No.	Description			
1	83-7588	Petrol tank 2·8 Imp gall Black/Candy	-	1	-
1	83-7589	Petrol tank 2·8 Imp gall Grey/Black	-	1	-
1	83-7590	Petrol tank 2·8 Imp gall Olympic Flame/Black	-	1	-
1	83-7431	Petrol tank 2·8 Imp gall Black/Gold	-	-	1
1	83-7593	Petrol tank 2·8 Imp gall Blue/Black	1	-	-
NI	83-7592	Petrol tank 4·0 Imp gall Blue/Black	1	-	-
NI	83-7580	Petrol tank 4·0 Imp gall Black/White	-	1	-
NI	83-7591	Petrol tank 4·0 Imp gall Grey/Candy	-	1	-
2	60-7280	Badge L.H.	-	-	1
2	60-7281	Badge R.H.	-	-	1
2	60-7210	Badge L.H./R.H. use with 83-7591	-	2	-
2	60-7282	Badge L.H. use with 83-7589/83-7590	-	2	-
2	60-7283	Badge R.H. use with 83-7589/83-7590	-	2	-
2	60-7288	Badge L.H./R.H. use with 83-7580	-	2	-
2	60-7303	Badge L.H./R.H. use with 83-7592	2	2	-
2	60-7304	Badge L.H. use with 83-7588	-	1	-
2	60-7305	Badge R.H. use with 83-7588	-	1	-
3	21-7048	Screw - badge to tank use with 2·8	4	4	4
3	21-2064	Screw - badge to tank use with 4·0	4	4	4
4	83-4395	Tie strap - tank use with 2·8	1	1	1
4	83-4118	Tie strap - tank use with 4·0	1	1	1
5	14-0113	Bolt - tie strap	2	2	2
6	60-2321	Washer plain - bolt	2	2	2
7	60-2428	Washer spring - bolt	2	2	2
8	83-3875	Petrol filler cap	1	1	1
9	82-4048	Joint washer - filler cap	1	1	1
10	60-7266	Petrol tap - main	1	1	1
11	60-7267	Petrol tap - reserve	1	1	1
NI	21-7023	Sealing tape - tap thread	2	2	2
12	70-7351	Washer bonded - tap seal	2	2	2
13	83-0002	Washer plain tap nut	2	2	2
14	83-4931	Steady rubber	2	2	2
15	83-4932	Mounting rubber	2	2	2
NI	60-3538	Fixing tape - mounting rubber	2	2	2
16	83-4930	Centre fixing bolt	1	1	1
17	60-2320	Washer - lower	1	1	1
18	82-9063	Distance tube	1	1	1
19	83-3814	Washer - upper	1	1	1
20	14-0302	Nut - fixing bolt	1	1	1
21	83-4776	Badge - centre	1	1	1
22	99-5061	Grommet for badge	1	1	1
23	83-4939	Rubber - centre mounting	1	1	1

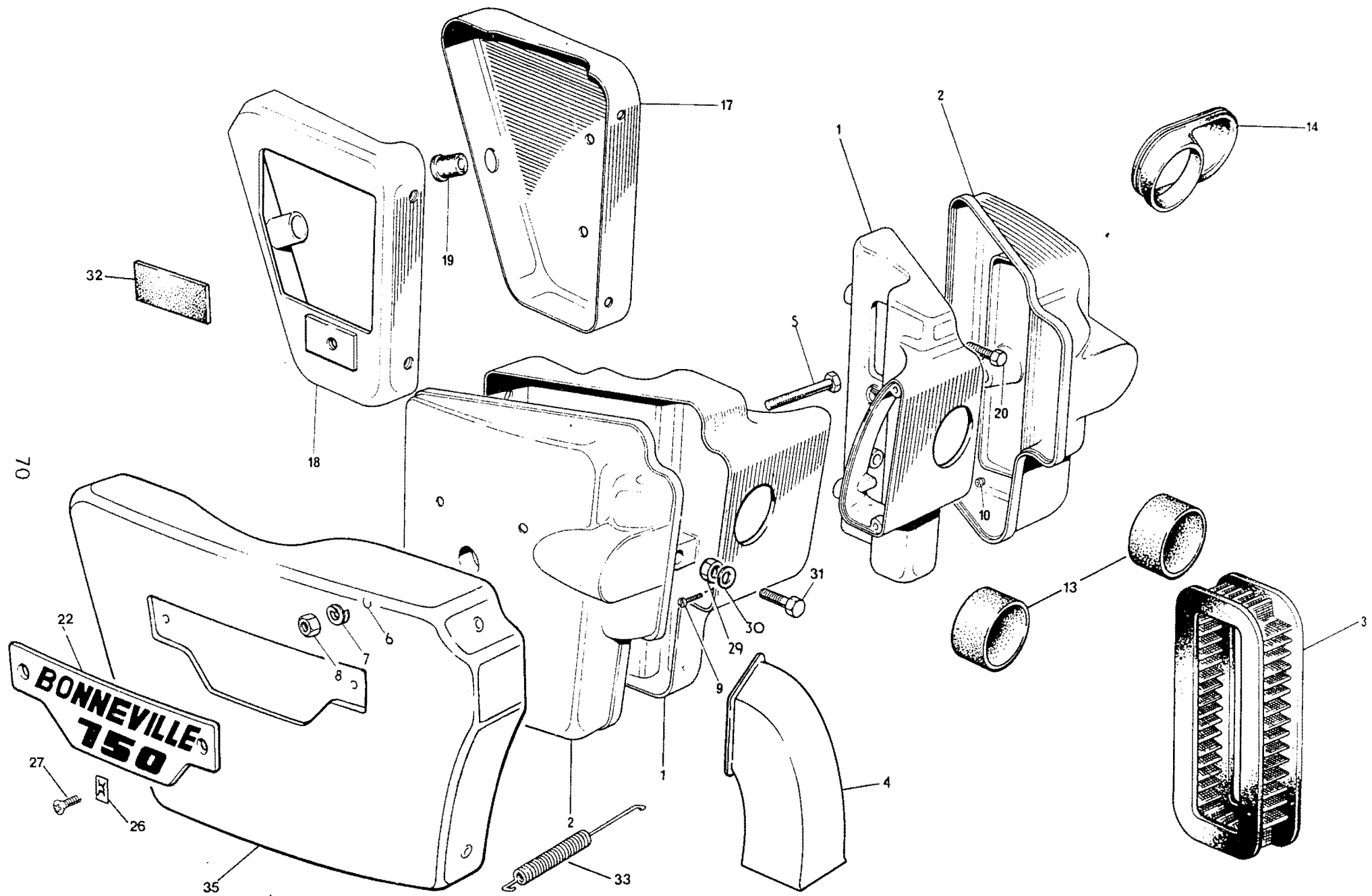


Fig. 26 AIR CLEANERS AND SIDE PANELS

## AIR CLEANER AND SIDE PANELS

Ref. No.	Part No.	Description	QUANTITY		
			TR7 RV	T140 E	T140 D
1	83-7162	Body - left	-	1	1
1	83-7141	Body - right	-	1	1
2	83-7204	Cover - left	-	1	1
2	83-7205	Cover - right	-	1	1
1	83-4845	Body - left	1	-	-
1	83-4609	Body - right	1	-	-
2	83-4807	Cover - left	1	-	-
2	83-4808	Cover - right	1	-	-
3	60-4265	Element	2	2	2
4	83-5448	Air intake tube, left	1	1	1
4	83-5449	Air intake tube, right	1	1	1
5	14-0221	Bolt	2	2	2
6	82-8245	Retainer	2	2	2
7	60-2438	Washer	2	2	2
8	14-0302	Nut	2	2	2
9	60-3539	Screw	2	2	2
10	21-0501	Nut } left assy to right assy	2	2	2
13	71-7166	Connector pipe Carb to air box	-	2	2
14	83-5161	Connector pipe	1	-	-
Not illus.	71-1860	Carburetor adaptor	1	-	-
Not illus.	60-3975	Clip	1	-	-
17	83-7498	Side panel - left	1	1	1
18	83-7495	Side panel - right	1	1	1
19	82-6673	Panel grommet	2	2	2
20	14-0102	Bolt	4	4	4
22	83-7316	Name plate	-	2	-
22	83-7334	Name plate	2	-	-
22	83-7357	Name plate	-	-	2
Not illus.	60-7242	Lining tape for Ref 34-35	-	-	1
26	21-7020	Spire nut	4	4	4
27	82-4129	Screw	4	4	4
29	14-1302	Nut	2	2	2
30	60-2321	Plain washer	2	2	2
31	14-0218	Bolt	2	2	2
32	82-7380	Rubber pad - under styling panel	2	2	2
33	83-7070	Spring - styling panel fixing	2	2	2
34	83-7355	Styling side panel L.H. Black	-	-	1
35	83-7356	Styling side panel R.H. Black	-	-	1
34	83-7305	Styling side panel L.H. Black	1	1	-
35	83-7306	Styling side panel R.H. Black	1	1	-

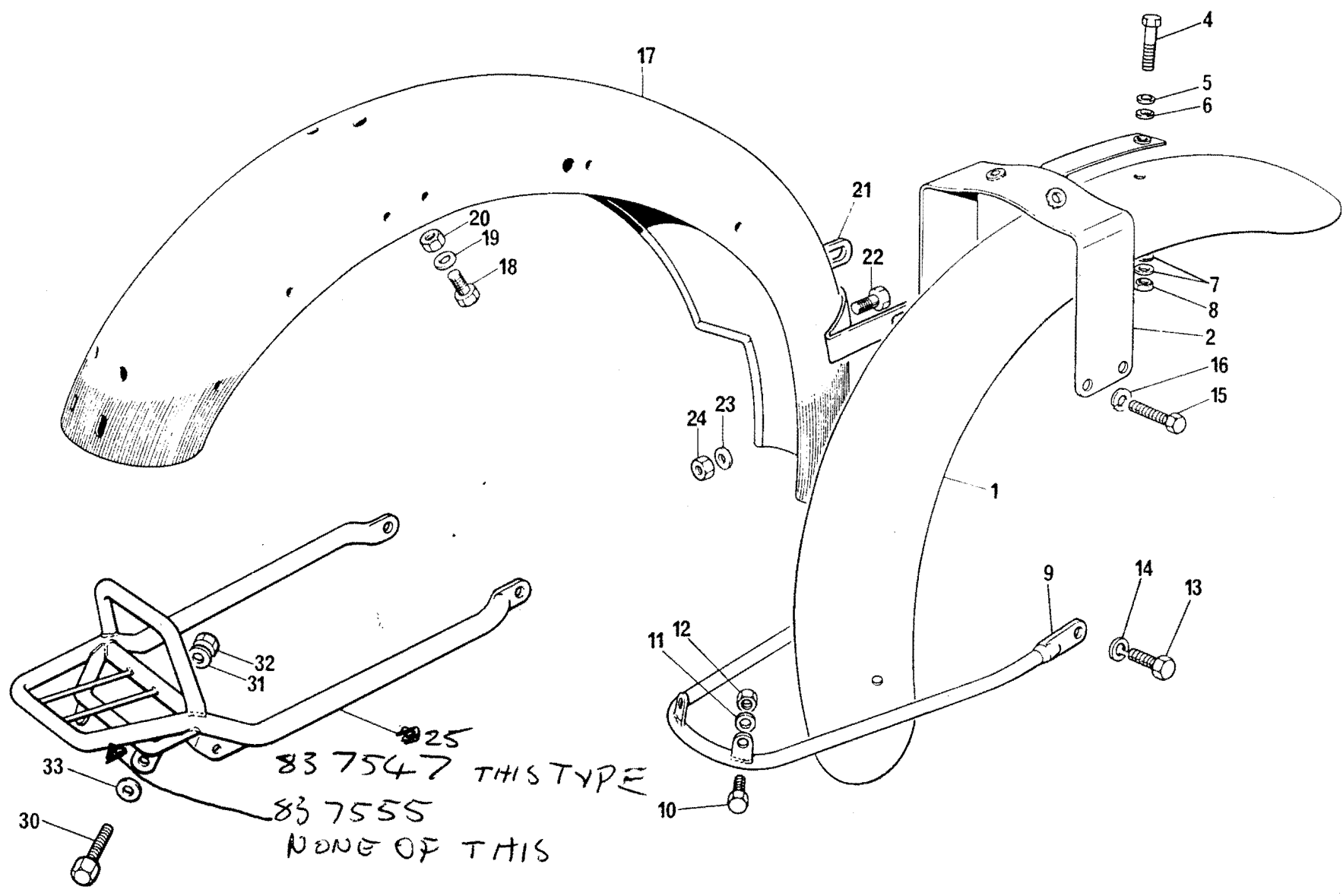


Fig. 27. FENDERS AND TAIL LAMP



## MUDGUARDS - FIXINGS

Ref. No.	Part No.	Description	QUANTITY		
			TR7 RV	T140 E	T140 D
1	97-7065	Front mudguard	-	-	1
1	97-7039	Front mudguard	1	1	-
2	97-7004	Bridge piece assembly	1	1	1
N/I	97-7073	Strengthening channel	-	-	1
4	14-2205	Screw, bridge piece to blade	3	3	5
5	21-7025	Washer plastic	3	3	5
6	83-7077	Washer plastic	-	-	2
7	60-2338	Washer plain	-	-	4
8	14-1201	Nut - screw, bridge to blade	3	3	5
9	97-4552	Rear stay	1	1	-
10	14-0101	Bolt, rear stay to blade	2	2	-
11	60-4245	Washer	2	2	-
12	14-1201	Nut	2	2	-
13	14-6114	Bolt, stay to spindle cap	2	2	-
14	60-2428	Washer spring	2	2	-
15	14-0103	Bolt, bridge piece to fork leg	4	4	4
16	60-2427	Washer spring	4	4	4
17	83-7492	Rear mudguard	-	-	1
18	83-7490	Rear mudguard	-	1	-
17	83-7494	Rear mudguard	1	-	-
18	14-0101	Bolt	2	2	2
19	60-2329	Washer	2	2	2
20	14-1301	Nut	2	2	2
21	83-2796	Lower front bracket	1	1	1
22	14-0114	Bolt	2	2	2
23	60-2330	Washer	2	2	2
24	14-1302	Nut	2	2	2
25	83-7555	Grab rail	-	-	1
25	83-7547	Grab rail	1	1	-
26	14-0102	Bolt	2	2	2
27	60-2329	Washer	2	2	2
28	14-1301	Nut	2	2	2
29	21-7025	Washer plastic	2	2	2
N/I	60-7206	Label - grab rail rack	1	1	-

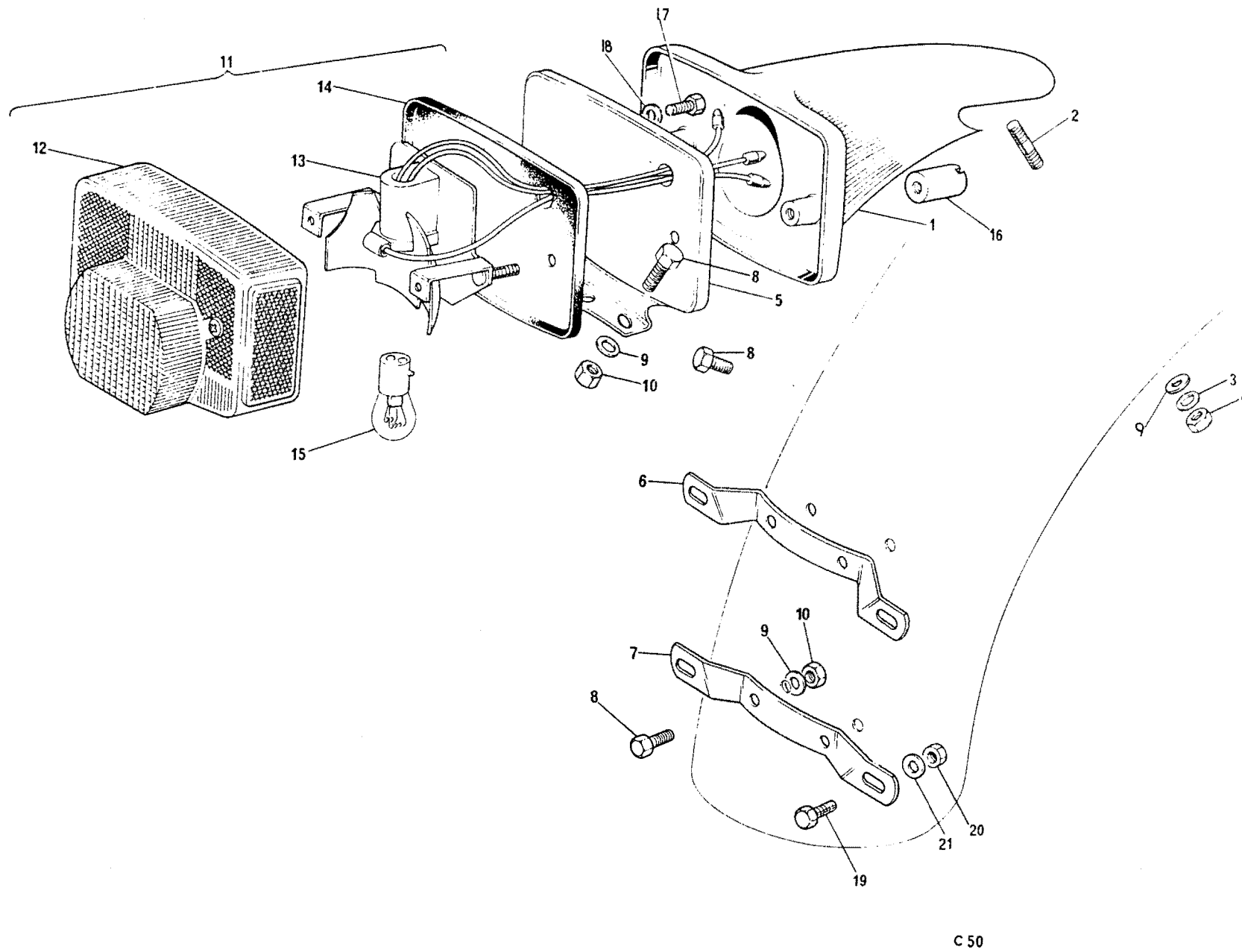


Fig. 28. TAIL LAMP AND SUPPORT

## TAIL LAMP AND SUPPORT

Ref. No.	Part No.	Makers Part No.	Description	Quantity	Remarks
1	83-7094	-	Tail lamp carrier	1	
2	21-2225	-	Stud	1	} Tail lamp support to fender
3	60-4250	-	Washer	1	
4	14-0301	-	Nut	1	
5	83-5001	-	Support plate	1	
6	83-4784	-	Rear No. plate bracket - top	1	
7	82-6850	-	Rear No. plate bracket - bottom	1	
8	14-0102	-	Bolt	4	} No. plate brackets and support plate to fender
9	60-2329	-	Washer	5	
10	14-1301	-	Nut	4	
11	06-8029	56515	STOP TAIL LAMP	1	
12	06-8058	54585314	Lens	1	Less side reflex
13	99-7065	54584931	Base assembly	1	
14	99-7066	54583924	Gasket	1	
15	99-0542	380	Bulb	1	
16	83-4800	-	Sleeve nut, lamp to back plate	2	
17	14-7804	-	Screw support plate to carrier	1	
18	70-1612	-	Serrated washer	1	
NI	83-4806	-	Wiring protector	1	} Not illustrated
NI	60-4103	-	Grommet, flasher wire	1	
NI	83-5105	-	"U" grommet, lamp carrier	2	
NI	97-0961	-	Grommet, mudguard for wiring	2	
NI	60-4440	-	Grommet, flasher wires	2	
19	14-0101	-	Bolt - number plate attachment	4	
20	14-1301	-	Nut	4	
21	60-2329	-	Washer	4	
11	99-7045	56513	STOP TAIL LAMP	1	c/w side reflex
12	99-7046	54584930	Lens	1	c/w side reflex
13	99-7056	54584931	Base assy.		
14	99-7066	54583924	Gasket		
15	99-0542	380	Bulb		

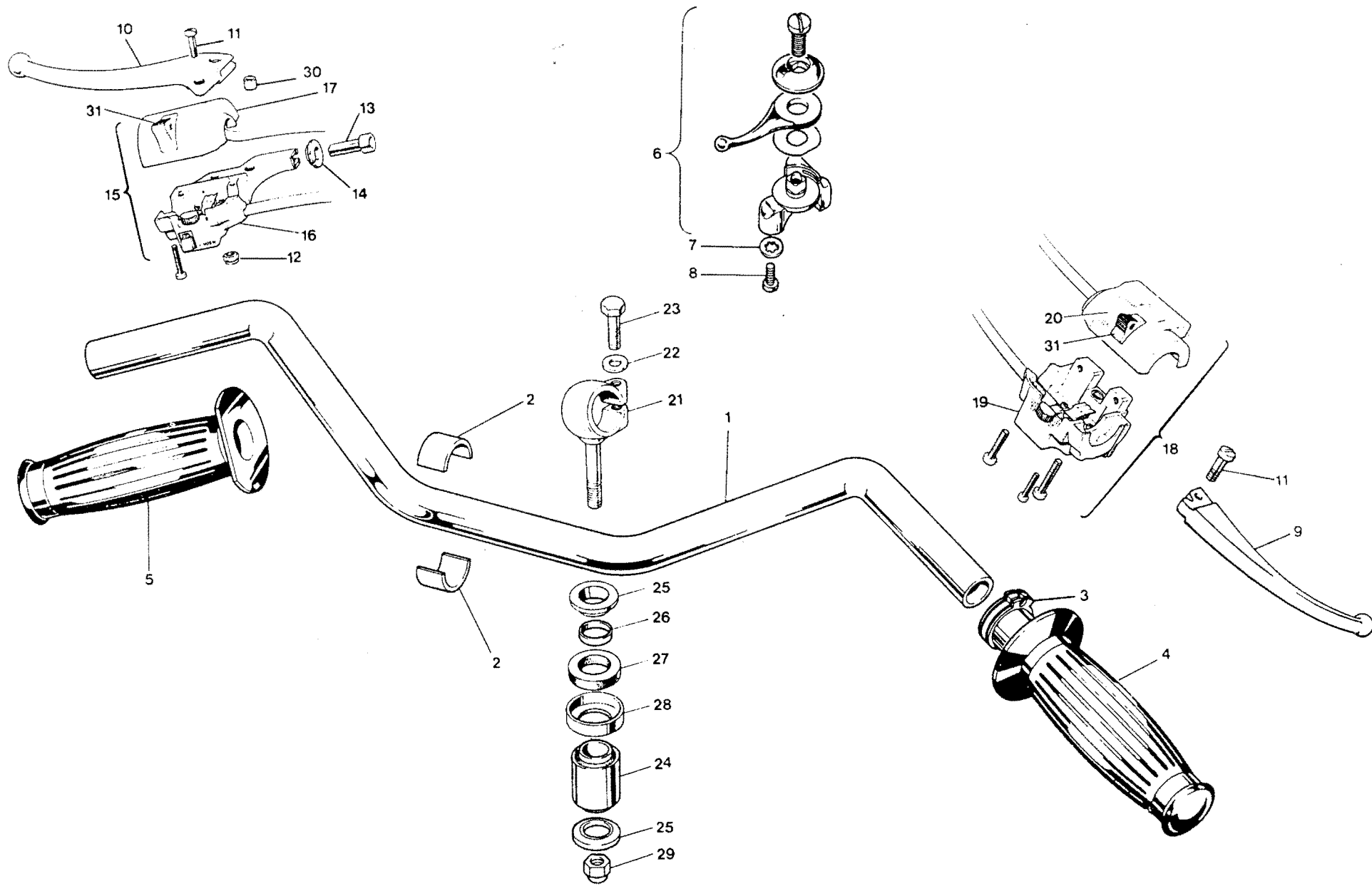
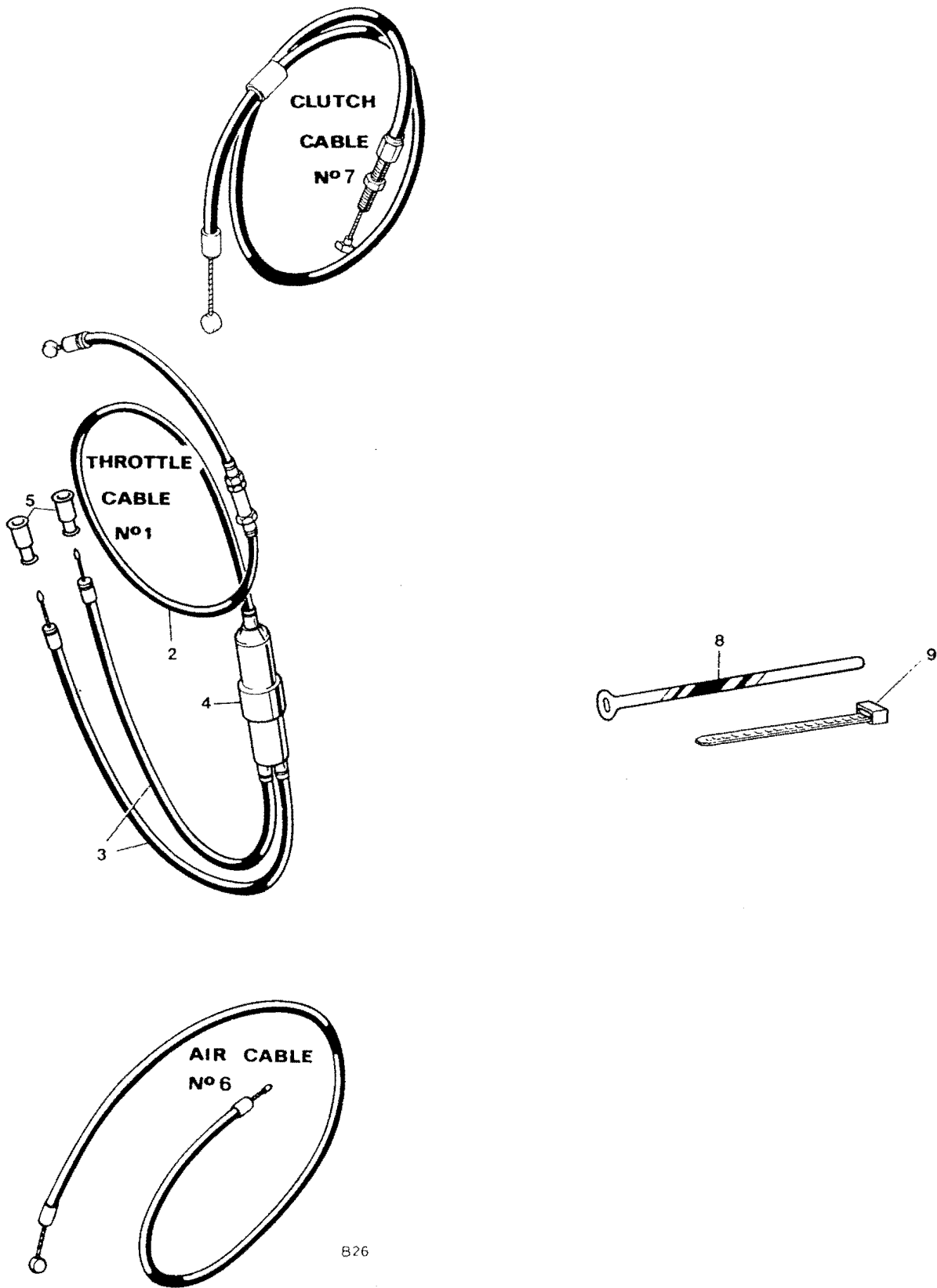


Fig. 29. HANDLEBAR AND CONTROL LEVERS

## HANDLEBARS AND CONTROL LEVERS

Ref. No.	Part No.	Makers Part No.	Description	Quantity	Remarks
1	97-7040		Handlebar	1	USA specificatio UK and General
1	97-7041		Handlebar	1	
2	97-1425		Sleeve, handlebar mounting	4	
3	60-7144		TWIST GRIP c/W GRIP	1	
4	97-2125		Grip, right hand	1	
5	97-2142		Grip, left hand	1	
6	60-3567		AIR CONTROL LEVER	1	} TR7 RV ONLY
7	70-1612		Shakeproof washer	2	
8	60-3896		Screw	2	
9	97-5074		Front brake lever blade	1	
10	97-7035		Clutch lever blade	1	
11	21-7036		Pivot pin - clutch lever	1	
11	21-2191		Pivot pin - brake lever	1	
12	14-1901		Nut-Pivot pin	2	
13	60-3585		Adjuster	1	
14	60-3586		Lockring	1	
15	99-7047		Handlebar switch L.H.	1	
16	99-7137		Switch bottom half L.H.	1	
17	99-7136		Switch top half L.H.	1	
18	99-7048		Handlebar switch R.H.	1	
19	99-7135		Switch bottom half R.H.	1	
20	99-7134		Switch top half R.H.	1	
21	97-2291		Handlebar eye bolt	2	
22	82-1335		Washer	2	
23	21-0589		Bolt	2	
24	97-1527		Metalastik bush	2	
25	97-1529		Hemispherical washer	4	
26	97-1581		Distance piece	2	
27	97-1580		Rubber washer	2	
28	97-2221		Cup	2	
29	14-1303		Nut	2	
30	97-7053		Pivot bush - clutch lever	1	
NI	60-7249		Mirror L & R.H.	1	
N/I	60-7201		Cable tie	4	
31	99-7138		Knob c/w screw and slider	2	

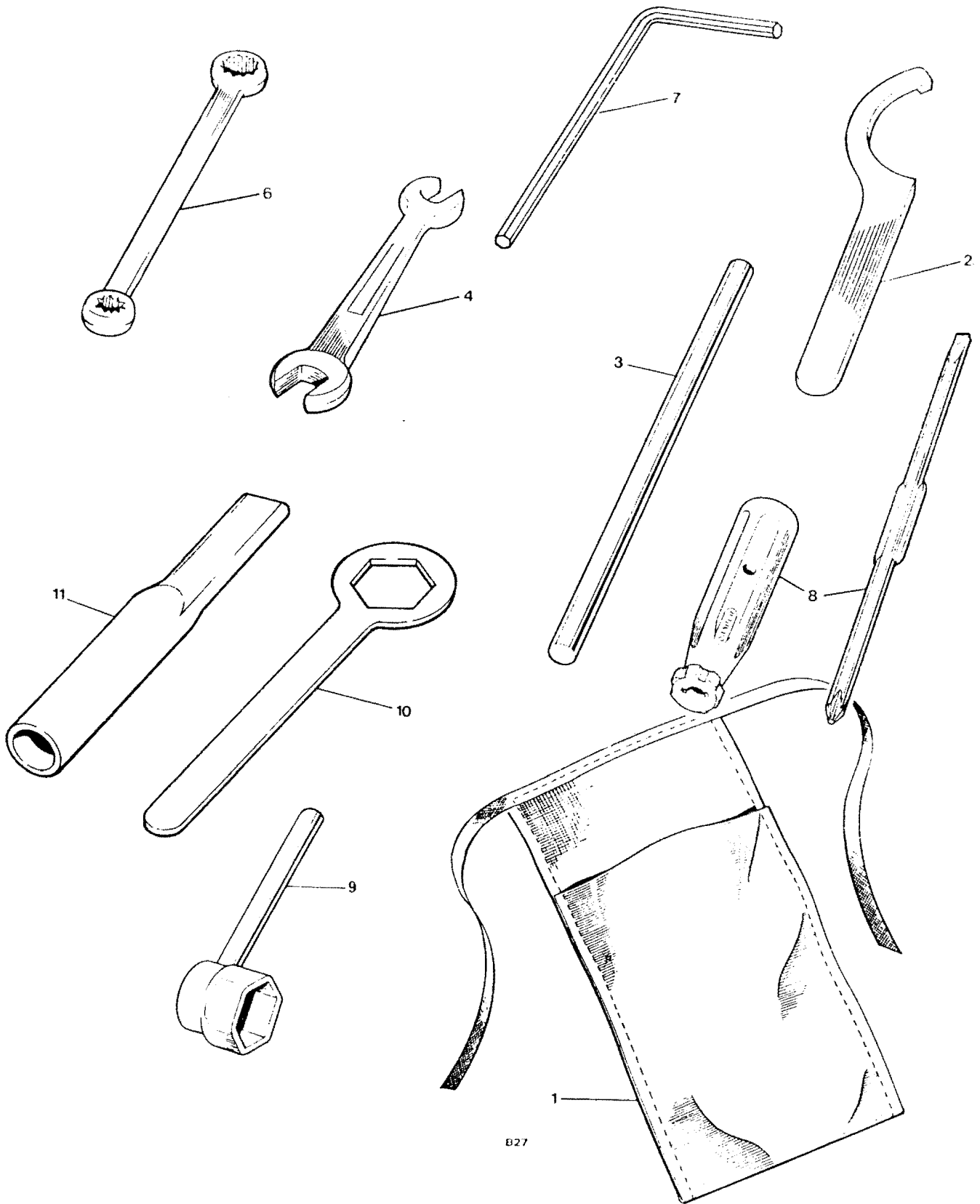


826

Fig. 30. CONTROL CABLES

## CONTROL CABLES

Ref. No.	Part No.	Description	Quantity	Remarks
1	60-7151	Throttle cable cte	1	T140 High bar
2	60-7149	Throttle cable T/Grip to junct block	1	T140 High bar
3	60-7084	Throttle cable junct block to carb	2	T140 High bar
1	60-7145	Throttle cable cte	1	T140 Low bar
2	60-7150	Throttle cable T/Grip to junct block	1	T140 Low bar
3	60-7084	Throttle cable junct block to carb	2	T140 Low bar
4	60-0685	Throttle cable Junction block	1	T140
5	60-7118	Sheath - Throttle cable adjstr	2	T140
Not Illus.	60-7184	Throttle cable cte	1	TR7 High bar
Not Illus.	60-7183	Throttle cable cte	1	TR7 Low bar
6	60-4194	Air control cable	1	TR7 universal
7	60-3925	Clutch cable	1	T140-TR7 High b.
7	60-4168	Clutch cable	1	T140 TR7 Low bar
8	60-4254	Cable clip aluminium	8	
9	60-7202	Cable clip plastic	21	
NI	60-4258	Cable clip rubber	1	



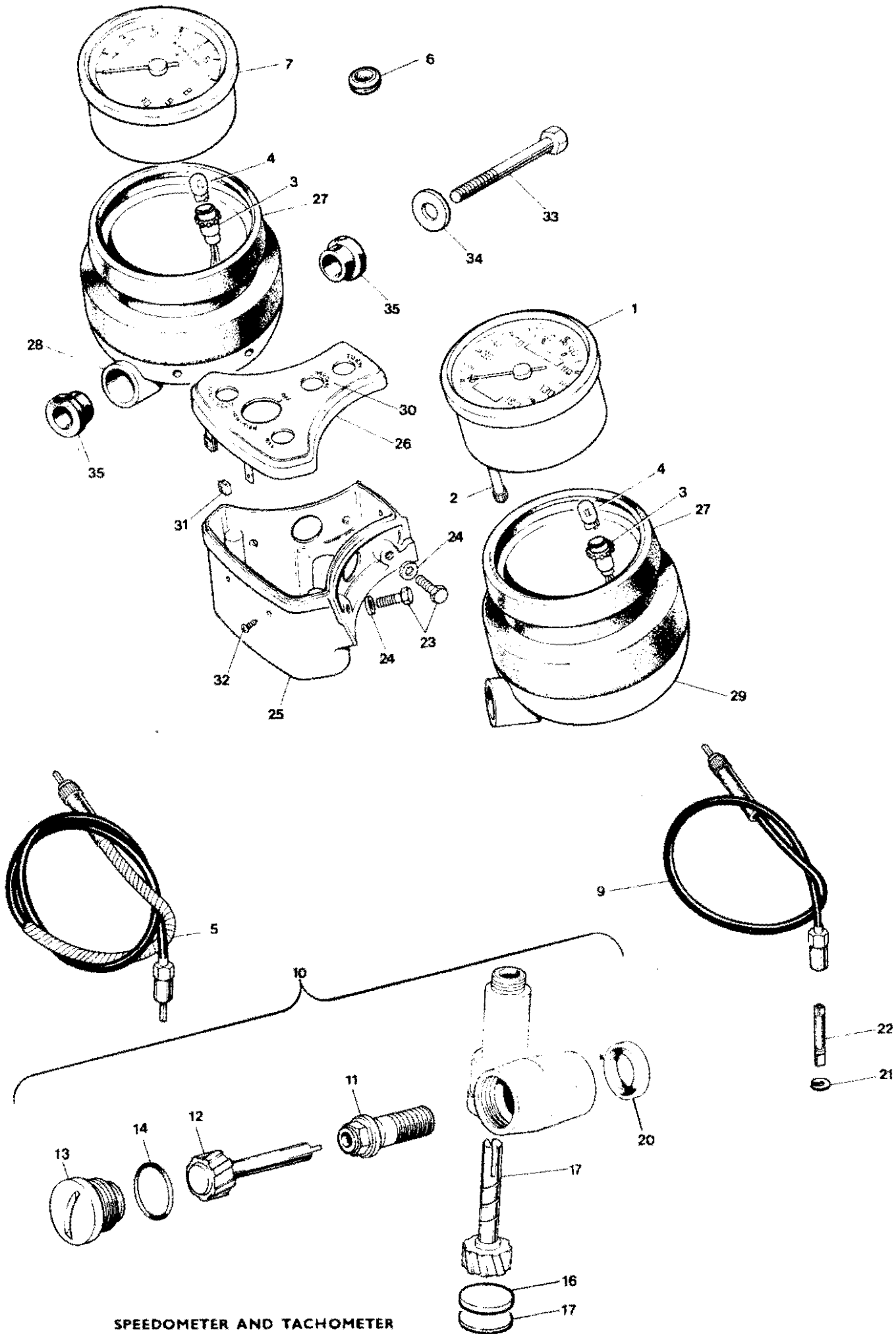
B27

Fig. 31. TOOLKIT



## TOOLKIT

Ref. No.	Part No.	Description	Quantity	Remarks
1	60-7166	TOOLKIT COMPLETE	1	
1	60-0291	Tool roll	1	
2	60-2184	Damper unit spanner	1	
3	60-7041	Tommy bar, for rear wheel	1	
4	60-2084	Spanner - open end	1	
6	60-1907	Ring spanner	1	
7	60-7167	Key for hex socket screw	1	
8	60-0767	Screw driver	1	
9	60-1050	Plug spanner	1	
10	60-7068	Rear wheel spanner	1	
11	60-7069	Lever for spanner	1	



SPEEDOMETER AND TACHOMETER

### SPEEDOMETER AND TACHOMETER

Ref. No.	Part No.	Makers Part No.	Description	Quantity	Remarks
1	60-7272		Speedometer head MPH85 - veglia	1	
1	60-7222		Speedometer head MPH150 - veglia	1	
1	60-7270		Speedometer head KPH250 - veglia	1	
2	60-7207		Trip control	1	
4	99-7050	504	Bulb	1	
5	60-3376		Speedo cable assy	1	
6	60-7221		Grommet - bulb holder	2	
7	60-7223		Tachometer head - veglia	1	
9	60-0578		Tachometer cable	1	
10	71-7011		TACHOMETER GEARBOX	1	
11	70-9332		Securing screw assy	1	
12	70-5157		Driving gear	1	
13	71-2480		End plug driving gear	1	
14	60-3355		'O' ring	1	
15	71-2653		Driven gear	1	
16	71-7012		Thrust cup	1	
17	71-2481		Welch plug	1	
20	70-7351		Sealing washer	1	
21	60-0494		Circlip	1	
22	99-0173	31-371-398	Spade	1	
23	14-6104		Bolt carrier to s/w box	4	
24	60-2427		Spring washer	4	
25	97-4577		Switch box	1	
26	97-5000		Panel assy - includes line 30	1	
27	97-4573		Rubber cup	2	
28	97-4574		Instrument carrier LH	1	
29	97-4575		Instrument carrier RH	1	
30	60-4622		Identification sheet	1	
31	60-4503		Spire nut	3	
32	21-0762		Screw - panel to s/w box	3	
33	14-0235		Bolt	2	
34	60-2340		Plain washer	2	
35	97-4588		Rubber bush	4	

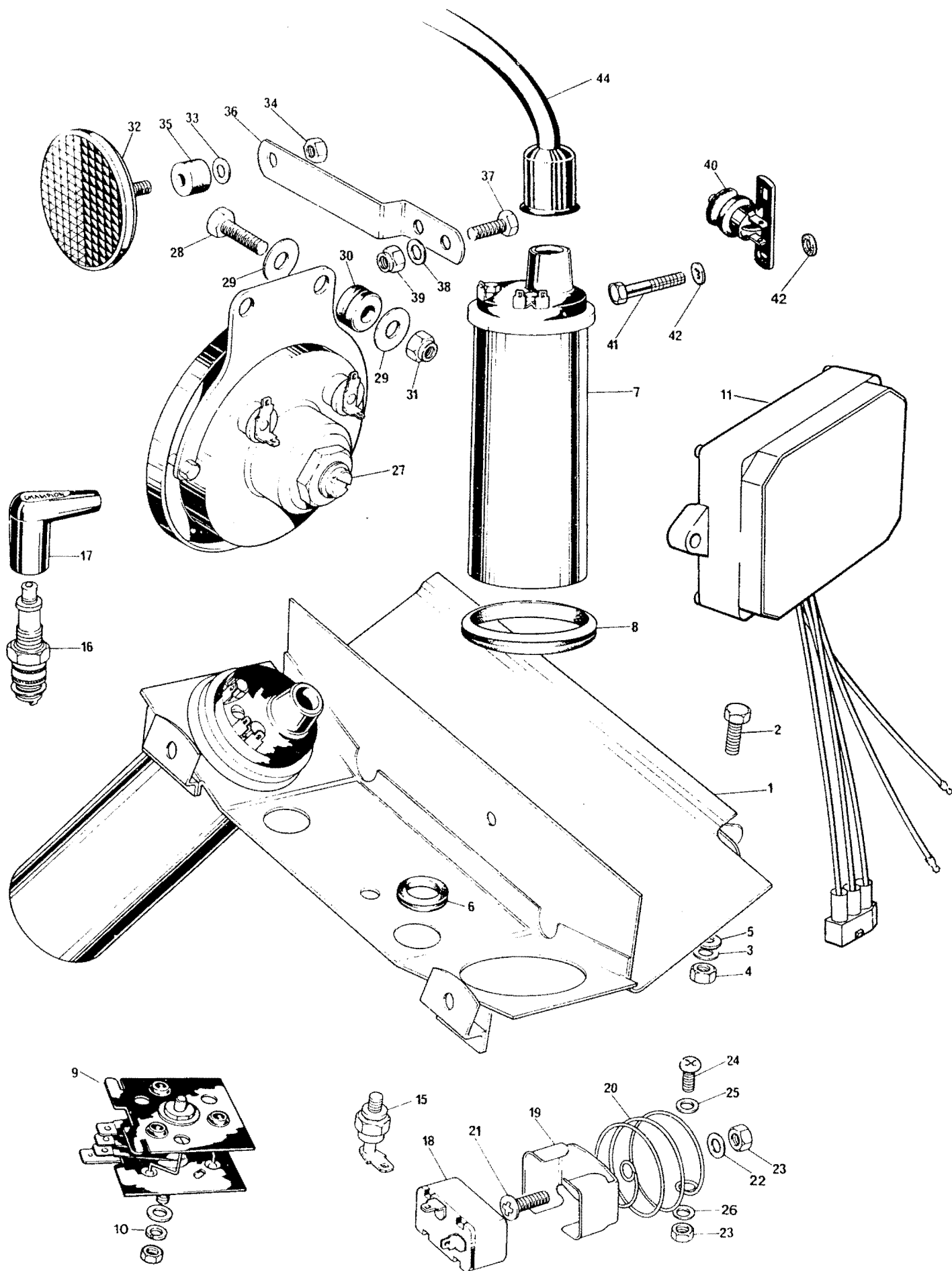


Fig. 33. COIL, CAPACITOR PACK, FLASHER UNIT, ZENER DIODE AND HORN

## ELECTRICAL COMPONENTS

Ref. No.	Part No.	Makers Part No.	Description	Quantity	Remarks
1	83-7502	-	Coil and tool tray assembly	1	
2	14-0102	-	Bolt	1	} Coil and tool tray attachment, rear.
3	60-2329	-	Washer	2	
4	14-1301	-	Nut	1	
5	70-7554	-	Rubber washer	1	
6	82-6784	-	Grommet, wiring harness	2	
7	60-7131	45220	Ignition coil (17-M-6)	2	
8	82-9561	-	Coil grommet	2	
9	99-7051	83539	Rectifier complete with nut	1	negative earth
10	70-3887	-	Shakeproof washer	1	
11	60-7130	-	Amplifier unit	1	
15	60-7156	49589	Zener diode	1	Negative earth
16	60-7237	N5	Sparking plug	2	
17	60-0262	WC200	Plug cover	2	USA - non screened
17	60-7124		Plug cap - screened	2	
17	60-7125		Cover - for cap screened	2	
18	99-1201	35048	Flasher unit	1	
19	99-1204	54385091	Clip, flasher unit	1	
20	60-3614	54386637	Spring	1	} Flasher unit attachment
21	21-2079	-	Screw	1	
22	60-2391	-	Washer	1	
23	21-7009	-	Nut	2	
24	21-2079	-	Screw - spring to tool tray	1	
25	97-1388	-	Plain washer	1	
26	60-2416	-	Washer	2	
27	60-7067	70276	Horn	1	
28	14-0103	-	Bolt	2	} Horn attachment
29	60-2347	-	Washer	4	
30	60-3161	-	Grommet	2	
31	14-1301	-	Nut	2	
32	99-1161	57183	Reflector - amber	2	
33	60-2416	-	Washer	2	} Reflector Mounting
34	82-3799	-	Nut	2	
35	83-3522	-	Mounting rubber	2	
36	83-3764	-	Reflector bracket	2	Use with 4 gall tank
37	21-2120	-	Bolt	2	} Bracket to frame
38	60-2391	-	Washer	2	
39	21-0778	-	Nut	2	
40	99-1028	34815A	Rear stop light switch 118SA	1	
41	21-7010	-	Screw, rear stop switch	2	
42	97-1388	-	Plain washer	4	
	70-4144	-	Grommet (for spark plug cover)	2	} Not illustrated USA-non screened
43	60-3923	-	H.T. cable	2	
44	60-7120		H.T. cable	2	
NI	14-0103		Screw - amplifier fixing	2	
NI	14-1301		Nut - amplifier fixing	2	

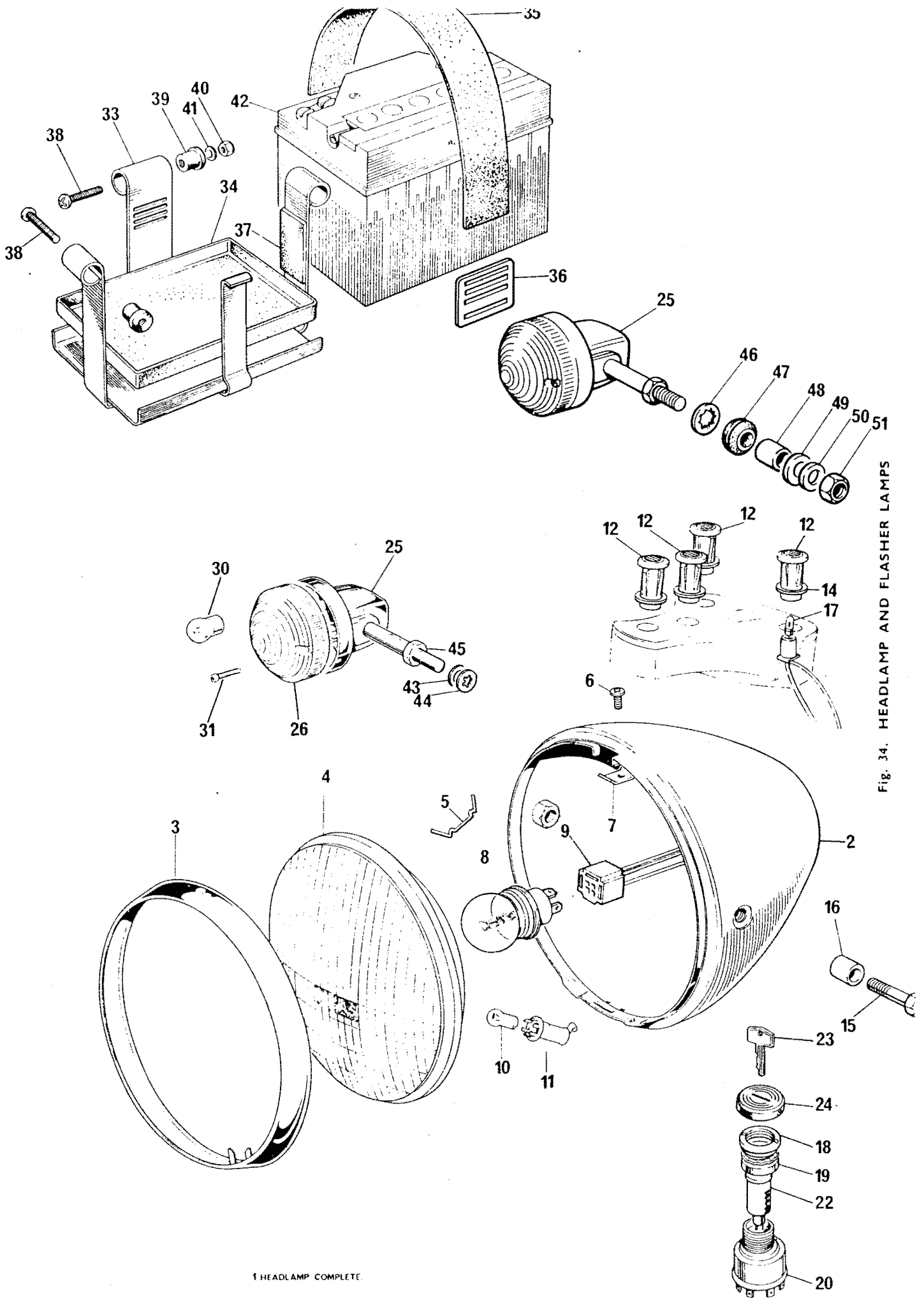


Fig. 34. HEADLAMP AND FLASHER LAMPS

1 HEADLAMP COMPLETE

## HEADLAMP AND FLASHER LAMPS

Ref. No.	Part No.	Makers Part No.	Description	Quantity	Remarks
1	99-7052	61386	Headlamp cte LH dip	1	left hand dip
1	99-7053	61387	Headlamp cte RH dip	1	right hand dip
2	99-7098		Headlamp shell only	1	
3	99-0692	553248	Headlamp rim	1	
4	99-7010	54512672	Light unit	1	left hand dip
4	99-7060	54522680	Light unit	1	Right hand dip
5	99-0683	504665	Fixing wire	6	
6	99-1189	144921	Screw	1	
7	99-0690	534296	Plate	1	
8	06-8019	410	Main bulb 45/40 w	1	
9	99-7061	553738	Adaptor	1	
10	99-0584	989	Pilot bulb	1	
11	99-7064	54573590	Pilot bulb holder	1	
12	99-1208	54363454	Warning light, red	1	
12	99-1209	54363455	Warning light, green	1	
12	99-1207	54363453	Warning light, amber	1	
12	99-7054	54361250	Warning light, blue	1	
14	99-1210	54140331	Sealing washer	3	
15	99-7012	54115106	Bolt - headlamp mounting	2	
16	97-4125	-	Distance piece, headlamp bolt	2	
17	99-0537	281	Bulb, warning light	3	
18	97-4589	54115106	Ignition switch nut	1	
19	97-4596	143086	Ignition switch spacer	1	
20	99-7055	54531899	Ignition switch	1	
22	82-6981	-	IGNITION LOCK WITH KEY	1	
23	60-0622	-	Ignition key	1	state serial number
24	60-4335	-	Cover, ignition switch	1	
25	60-4104	-	FLASHER LAMP FRONT	2	
25	60-7172	-	FLASHER LAMP REAR	2	
26	19-1191	54581638	Lens	1	
30	99-1192	382	Bulb	1	
31	99-1193	54123401	Screw	2	
33	83-7504	-	Battery carrier assembly	1	
34	82-8091	-	Battery tray moulding	1	
35	82-9353	-	Retaining strap	1	
36	82-9355	-	Buckle	1	
37	83-7235	-	Protective strip	4	
38	83-2508	-	Shoulder screw	3	} Battery carrier mounting
39	82-6039	-	Rubber bush	3	
40	14-1301	-	Nut	1	
41	60-2329	-	Plain washer	1	
42	60-7088	-	Battery	1	
43	60-2332	-	Plain washer	2	} Flasher lamp stanchion Front
44	37-2331	-	Serrated washer	2	
45	14-0404	-	Nut	4	
Ni	99-7056	-	Main wiring harness	1	
Ni	60-7199	-	Earth lead - amplifier box	1	
Ni	60-7198	-	Rear sub harness	1	
Ni	60-7279	-	Earth lead - rear dir indicator	2	
46	83-7558	-	Dimpled washer	2	} Flasher lamp stanchion Rear.
47	82-5753	-	Grommet	2	
48	83-7559	-	Distance tube	2	
49	60-2350	-	Washer plain	2	
50	60-2332	-	Washer plain	2	
51	14-0404	-	Nut	4	

# TRIUMPH

TRIUMPH MOTOR CO. LTD. 150, SOUTH BRIDGE ST. LONDON, E.C. 4, ENGLAND  
TRIUMPH MOTOR CO. LTD. 150, SOUTH BRIDGE ST. LONDON, E.C. 4, ENGLAND  
TRIUMPH MOTOR CO. LTD. 150, SOUTH BRIDGE ST. LONDON, E.C. 4, ENGLAND

TRIUMPH MOTOR CO. LTD. 150, SOUTH BRIDGE ST. LONDON, E.C. 4, ENGLAND  
TRIUMPH MOTOR CO. LTD. 150, SOUTH BRIDGE ST. LONDON, E.C. 4, ENGLAND  
TRIUMPH MOTOR CO. LTD. 150, SOUTH BRIDGE ST. LONDON, E.C. 4, ENGLAND

TRIUMPH MOTOR CO. LTD. 150, SOUTH BRIDGE ST. LONDON, E.C. 4, ENGLAND  
TRIUMPH MOTOR CO. LTD. 150, SOUTH BRIDGE ST. LONDON, E.C. 4, ENGLAND  
TRIUMPH MOTOR CO. LTD. 150, SOUTH BRIDGE ST. LONDON, E.C. 4, ENGLAND

TRIUMPH MOTOR CO. LTD. 150, SOUTH BRIDGE ST. LONDON, E.C. 4, ENGLAND  
TRIUMPH MOTOR CO. LTD. 150, SOUTH BRIDGE ST. LONDON, E.C. 4, ENGLAND  
TRIUMPH MOTOR CO. LTD. 150, SOUTH BRIDGE ST. LONDON, E.C. 4, ENGLAND

TRIUMPH MOTOR CO. LTD. 150, SOUTH BRIDGE ST. LONDON, E.C. 4, ENGLAND  
TRIUMPH MOTOR CO. LTD. 150, SOUTH BRIDGE ST. LONDON, E.C. 4, ENGLAND  
TRIUMPH MOTOR CO. LTD. 150, SOUTH BRIDGE ST. LONDON, E.C. 4, ENGLAND

TRIUMPH MOTOR CO. LTD. 150, SOUTH BRIDGE ST. LONDON, E.C. 4, ENGLAND  
TRIUMPH MOTOR CO. LTD. 150, SOUTH BRIDGE ST. LONDON, E.C. 4, ENGLAND  
TRIUMPH MOTOR CO. LTD. 150, SOUTH BRIDGE ST. LONDON, E.C. 4, ENGLAND

TRIUMPH MOTOR CO. LTD. 150, SOUTH BRIDGE ST. LONDON, E.C. 4, ENGLAND  
TRIUMPH MOTOR CO. LTD. 150, SOUTH BRIDGE ST. LONDON, E.C. 4, ENGLAND  
TRIUMPH MOTOR CO. LTD. 150, SOUTH BRIDGE ST. LONDON, E.C. 4, ENGLAND

THIS SUPPLEMENT MUST BE USED IN CONJUNCTION WITH  
99-7149 PARTS CATALOGUE



1980 T140D EURO SPECIAL

REPLACEMENT PARTS LIST SUPPLEMENT

Only to be used with Parts Catalogue 99-7139  
For Parts not listed here, read as 1980 T140E UK

N.B: ITEMS MARKED WITH \* ARE NEW PARTS  
ALL OTHER ITEMS WERE LAST USED ON  
1979 'D' MODEL.

Part No.	Description	Quantity
<u>ENGINE</u>		
71-7183	Cylinder Head Assembly	1
71-7328	Pulse Sensor Cover	1
71-7120	Threaded Collar : Exh. Pipe to Head	2
71-7121	Compression Joint	2
<u>FORKS</u>		
97-7133	Fork Assembly	* 1
97-7132	Bottom Cap : Wheel Spindle : L.H.	* 1
97-7092	Bottom Member C/W Cap : L.H.	* 1
<u>WHEELS</u>		
37-7073	Front Wheel	1
37-7042	Bearing	2
37-7075	Spacer	1
37-7078	Backing Ring	1
37-7076	Bearing Lock Ring	1
37-7077	Hub End Plate	1
37-7079	Brake Disc	1
21-7042	Bolt : Disc to Hub	6
14-1202	Nut : Disc to Hub	6
60-2330	Washer - for Nut	6
37-7080	Distance Piece : Wheel Spindle	1
37-7081	Wheel Spindle	1
60-2326	Washer : Spindle	1
14-1307	Nut : Spindle	1
37-7107	Balance Weight - as required	-

Part No.	Description	Quantity
<u>WHEELS : Continued...</u>		
37-7102	Rear Wheel	1
37-7090	Backing Ring	1
37-7042	Bearing : R.H.	1
37-7041	Bearing : L.H.	1
37-7106	Spacer	1
37-7054	Dust Cover : L.H. Bearing	1
37-7088	Spacer : Hub to Sprocket	1
37-7089	Sprocket	1
37-7079	Brake Disc	1
21-7043	Bolt : Disc/Sprocket to Hub	6
14-1202	Nut : Disc/Sprocket to Hub	6
60-2330	Washer	6
37-7091	Distance Piece : Bearing to C/Plate	1
37-7076	Lock Ring : R.H. Bearing	1
<u>FRAME PARTS</u>		
83-7598	Twainseat	* 1
83-7599	Cover : Twainseat	* 1
60-7226	Data Label	1
83-7597	Petrol Tank	* 1
60-7298	Badge : Petrol Tank	* 2
21-7048	Screw : Badge	4
83-7355	Styling Panel : L.H.	1
83-7356	Styling Panel : R.H.	1
60-7242	Lining Tape : as required	-
83-7357	Name Plate	2
60-7284	Owner Handbook	* 1

1980 T140E EXECUTIVE

REPLACEMENT PARTS LIST SUPPLEMENT

Only to be used with Parts Catalogue 99-7139

For Parts not listed here, read as 1980 T140E UK

Part No.	Description	Quantity
97-7126	Front Mudguard	1
83-7759	Rear Mudguard	1
83-7762	Petrol Tank	1
60-7358	Badge : Petrol Tank	2
83-7760	Styling Panel : L.H.	1
83-7761	Styling Panel : R.H.	1
60-7359	Front Fairing C/w Fittings	1
60-7360	Fairing only	1
97-7127	Bracket : Top Fixing	1
97-7128	Bracket : L.H. Bottom Fixing	1
97-7129	Bracket : R.H. Bottom Fixing	1
14-0236	Bolt : Top Fixing - Top Yoke	1
14-0238	Bolt : Bottom Fixing : R.H.	1
23-1043	Bolt : Fairing to Bottom Bracket	2
60-7383	Grommet : Fairing to Bottom Bracket	2
60-2348	Washer : Fairing to Bottom Bracket	6
21-7098	Dome Nut: Fairing to Bottom Bracket	2
60-7249	Rear View Mirror	2
83-7109	Spacer : Mirror Stem	2
83-7765	Twinsat	1
83-7826	Cover : Twinsat	1

Part No.	Description	Quantity
83-7766	Pannier Set C/w Fixing and Top Box CTE	1
83-7767	Pannier Frame : L.H. C/w Lock	1
83-7768	Pannier Frame : R.H. C/w Lock	1
83-7769	Bridge Stay : Pannier Frame	1
83-7770	Side Rail : Pannier Frame	2
83-7771	Bottom Steady : Pannier Frame	2
83-7772	Top Box Support : L.H.	1
83-7773	Top Box Support : R.H.	1
83-7774	Frame : Top Box C/w Lock	1
83-7775	Bracket : Rear Indicator	4
23-1043	Bolt : Pannier Assembly : Top 25mm	10
23-1040	Bolt : Pannier Assembly : Btm 16mm	4
23-1557	Washer : Bolt	14
23-1033	Bolt : Top Box Frame 10mm	4
23-1556	Washer : Bolt	4
83-7776	Pannier Case : L.H.	1
83-7777	Pannier Case : R.H.	1
83-7778	Top Box	1
60-7172	Direction Indicator : Front/Rear	4
60-7361	Extension Lead : Rear Indicator	2
60-7368	Extension Lead : Front Indicator	2

# TRIUMPH

## SUPPLEMENT REPLACEMENT PARTS CATALOGUE

1980  
BONNEVILLE 750  
T140 ES

THE FOLLOWING LISTED PARTS ARE THOSE WHICH DIFFER FROM 1979 MODEL

FOR PARTS NOT INCLUDED HERE READ AS  
1979 REPLACEMENT PARTS CATALOGUE 99-7189

Part No.	Description	Qty
<u>ENGINE</u>		
7370	Crankshaft Assy. C/w Flywheel	1
7338	Flywheel	1
7491	Crankcase	1
7492	Bush - Intermediate Wheel Spindle	1
7250	Timing Cover	1
7377	Spindle : 2nd Stage	1
7376	Spindle : 3rd Stage	1
7066	Stud - Outrigger Plate	4
7327	Cover for Starter Motor	1
7328	Joint Washer for Cover	1
7003	Screw - Cover to Timing Case : 1/2" UN	2
7006	Screw - Cover to Timing Case : 1" UN	1
7012	Screw - Timing Cover to C/Case 2 1/2" UN	1
7013	Screw - Timing Cover to C/Case 2 1/2" UN	2
7400	Pillar Bolt - Pulse Sensor	2
7379	Upper Outrigger Plate	1
7380	Lower Outrigger Plate	1
7202	Nut - Outrigger Plate Fixing	2
7092	Nut - Outrigger Plate Fixing	2
7226	Pinion : Starter Motor 16T No. 1	1
7209	Circlip : pinion	1
7292	Retaining Washer - Pinion	1
7417	Driven Gear 54T No. 2	1
7469	Rubber Bush : Driven Gear	2
7470	Sleeve for Bush	2
7083	Bolt : Driven Gear to Coupling Flange	2
7418	Washer - Bush Retaining	2
7416	Pinion C/w Coupling Flange 16T No. 3	1
7378	Spindle for Pinion 2/3	1
71575	Washer for Spindle	1
7297	Circlip : Spindle	1
7242	Pinion No. 4/5 36T - 16T	1
7243	Pinion No. 6/7 11T - 36T	1
7436	Pinion No. 8 C/w Hub 24T	1
7246	Pinion Intermediate 47T	1
7413	Spindle : Intermediate Pinion	1

Part No.	Description	Qty
<u>ENGINE</u>	Continued...	
60-7201	Sprag Clutch	1
71-7245	Spacer Ring : Inner	1
71-7244	Retaining Ring : Outer	1
60-7269	Circlip	1
<u>FRONT and CYCLE PARTS</u>		
60-7661	Air Filter Body : R.H.	1
61-7645	Styling Panel : R.H.	1
60-7371	Badge : Petrol Tank : LH - 2.8 Gal.	1
60-7372	Badge : Petrol Tank : RH - 2.8 Gal.	1
60-7339	Screw for Badge : Front	2
60-7688	Screw for Badge : Rear	2
60-7723	Petrol Tank - Black/Candy - 2.8 Gal.	1
60-7724	Petrol Tank - Grey/Black - 2.8 Gal.	1
60-7725	Petrol Tank - Olympic Flame/Black - 2.8 Gal.	1
60-7726	Twinseat - Use with 2.8 Gal. Tank	1
60-7632	Twinseat - Use with 4.8 Gal. Tank	1

Pt. No.	Description	Qty
<b>ELECTRICAL COMPONENTS</b>		
60-7296	Starter Motor	1
14-7020	Screw : Starter Motor Mounting	3
71-7383	Dowel : Starter Motor Mounting	1
60-7295	'O' Ring : Starter Motor Mounting	1
48027	Pulse Sensor	1
47244	Stator : Generator	1
60-7328	Switch : Handlebar : <del>BJ</del>	1
60-7318	Solenoid Switch	1
60-7376	Nut : Lead to Solenoid	2
60-7377	Washer for Nut	2
83-7737	Solenoid Mounting Bracket	1
23-1015	Screw : Upper - Solenoid to Bracket	1
23-1012	Screw : Lower - Solenoid to Bracket	1
23-2201	Nut : Inner for Screw	2
23-2161	Nut : Outer for Screw	2
60-2329	Washer for Nut	4
83-7644	Solenoid Switch Cover	1
83-6784	Grommet : Battery Leads	2
60-7320	Lead : Starter to Solenoid	1
60-7321	Lead : Battery to Solenoid	1
60-7322	Lead : Battery to Earth	1
60-7326	Zener Diode : Triple Pack	1
21-7084	Screw : Zener Diode to Air Filter Body	2
60-7317	Battery C/w Vent Pipe	1
60-7372	Owner Handbook	1

---

AEROSOL PAINTS.

<u>Part No:</u>	<u>Colour:</u>
99-0178	Aquamarine
99-0182	Black
99-0192	Burnished Gold
99-0201	Clear Laquer
99-3009	Poly Red
99-3005	Astral Blue
99-3003	Poly Blue
99-3010	Sea Jade
99-7028	Silver
99-7029	Tawny Brown
99-7030	Candy Apple Red
99-7031	Flambuoyant Blue
99-7033	Ice Cold White